

Article datasheet

## Cable Clip 11.4/25.1x25.1mm Polyamid 6.6 natural UL94-V2 E70062

Article-No.: 072.58.711

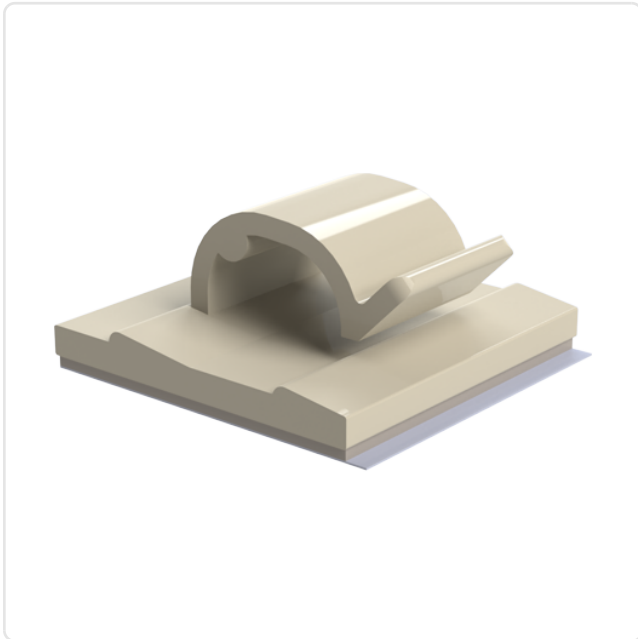


Image may be similar

Color: Natural  
Material: Polyamide 6.6 - UL94 V-2  
Material Group: Kunststoff  
Width [mm]: 25.1  
Weight: 2.4g  
Conformities:



You can find all information on the web on our article detail page

Would you like individual advice?

We look forward to your email to [products@ettinger.de](mailto:products@ettinger.de).

Subject to change and errors.

