

Article datasheet

Hole Grommet 16.0/22.0-1.5mm Polychloropren (Neopren) black

Article-No.: 014.72.446

Manufacturer: SES-Sterling

Manufacturer article-no.: 0252 0072 010

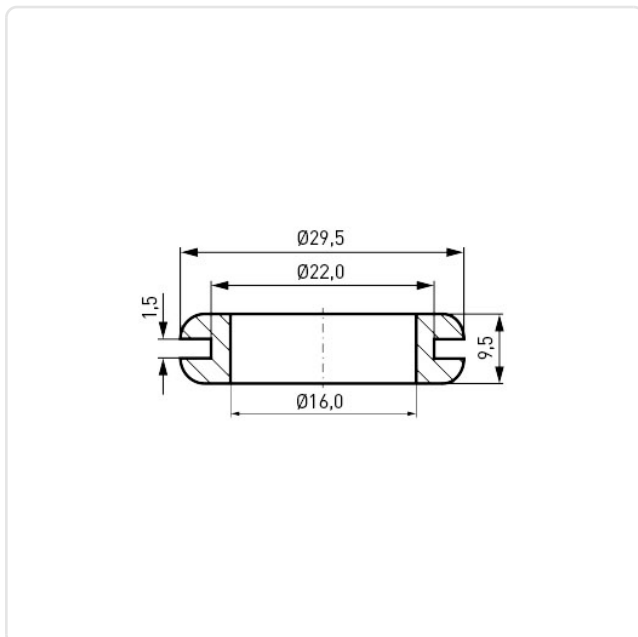


Image may be similar

Color: Black
Inner Diameter [mm]: 16
Material: EPDM Ethylen-Propylen-Dien
Material Group: Plastic
Max. Panel Thickness [mm]: 1.5
Mounting Hole [mm]: 22
Weight: 6.56g
Conformities:



You can find all information on the web on our article detail page



Would you like individual advice?

We look forward to your email to products@ettinger.de.

Subject to change and errors.