

Article datasheet

## Card Guide for 1/16"PCB 73mm Polyamid 6.6 natural UL94-V2 E70062

Article-No.: 075.14.270

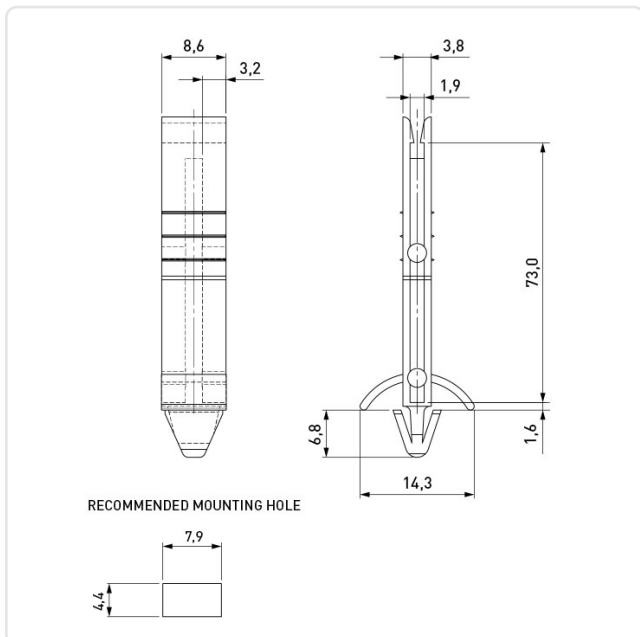


Image may be similar

Color: Natural  
Flammability Class: UL94-V2  
Length [mm]: 76.2  
Material: PA 6.6  
Material Group: Plastic  
Model: Plug-In Foot  
Width [mm]: 8.6  
Weight: 2.18g  
Conformities:



You can find all information on the web on our article detail page



Would you like individual advice?

We look forward to your email to [products@ettinger.de](mailto:products@ettinger.de).

Subject to change and errors.