

Article datasheet

Drive Fastener $\varnothing 4.8/3.0-6.0$ mm Polyamid 6.6,black/UL94-V2

Article-No.: 072.01.450

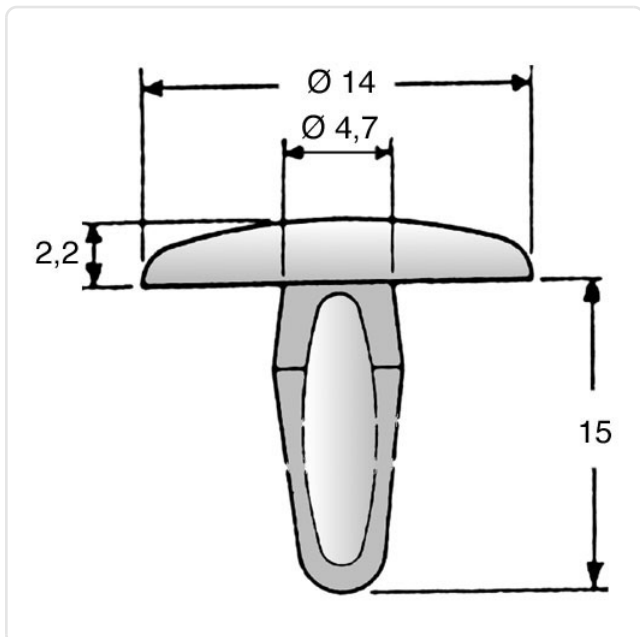


Image may be similar

Color:	Black
Flammability Class:	UL94-V2
Head Diameter [mm]:	14
Material:	PA 6.6
Material Group:	Plastic
Mounting Hole [mm]:	4.8
Panel Thickness Range [mm]:	3.0 - 11.0 mm
Weight:	0.46g
Conformities:	



You can find all information on the web on our article detail page



Would you like individual advice?

We look forward to your email to products@ettinger.de.

Subject to change and errors.