

Article datasheet

IEC Power Inlet Snap-in Switch green illum./2x fuseholder

Article-No.: 044.50.307



Image may be similar

Amperage [A]: 10
Color: Black
Connections: 6.3x0.8
Fuse Size [mm]: 5.0x20.0
Model: Plug, Snap-In Mounting
Weight: 53g
Conformities:

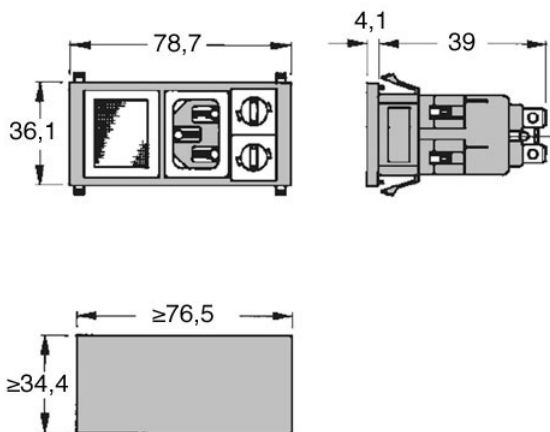


You can find all
information on the web on
our article detail page

Would you like individual advice?

We look forward to your email to products@ettinger.de.

Subject to change and errors.



Chassisdicke 1,0; 1,5; 2,0; 3,0 mm