

Article datasheet

Standoff Yellow Galvanized Steel M/M AF5x1.7 T1=M2.5x6 T2=M3x6 w/ UC

Article-No.: 005.11.702

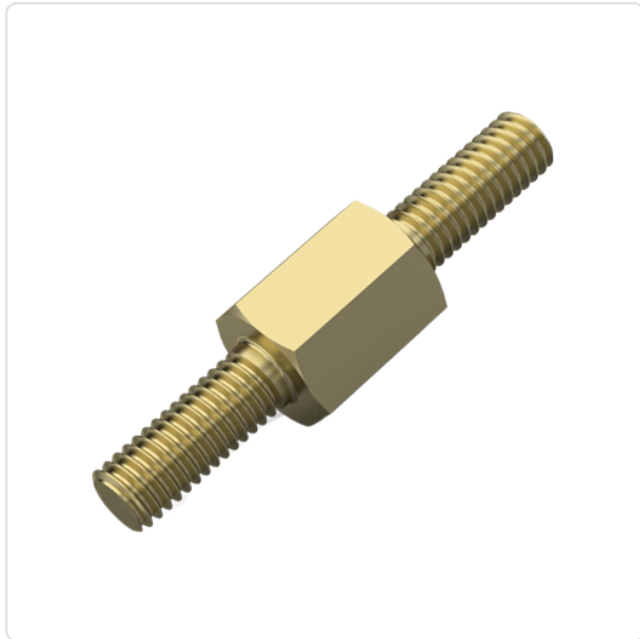
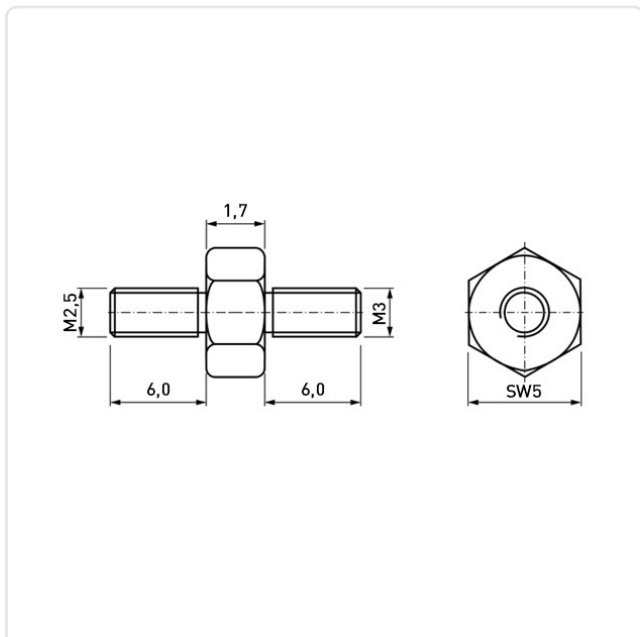


Image may be similar

AF / OD [mm]:	5
Finish:	Galvanized, Yellow, 8 µm, A3G
Length [mm]:	1.7
Material:	Steel 11SMnPb30(+C)
Material Group:	Steel
Profile:	Hexagonal
Thread 1 Length [mm]:	6
Thread 1 Size:	M2.5
Thread 2 Length [mm]:	6
Thread 2 Size:	M3
Undercut:	Yes
Weight:	0.66g
Conformities:	



You can find all information on the web on our article detail page

Would you like individual advice?

We look forward to your email to products@ettinger.de.

Subject to change and errors.