

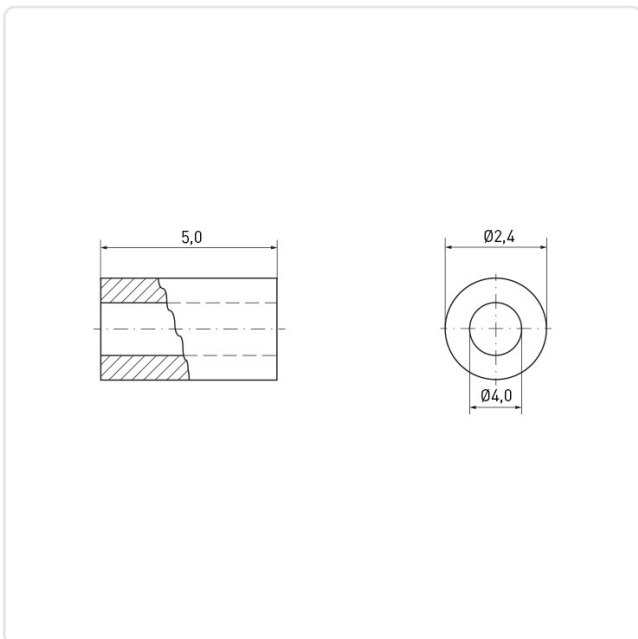
Article datasheet

Round Spacer $\varnothing 2.4/4.0 \times 5.0$ Plain Aluminum

Article-No.: 005.71.058



Image may be similar



Finish: Plain
For Thread Size: M2
Inner Diameter [mm]: 2.4
Length [mm]: 5
Material: Aluminum ENAW-6060 / AlMgSi, lead-free
Material Group: Aluminum
Outer Diameter [mm]: 4
Weight: 0.1g
Conformities:



You can find all
information on the web on
our article detail page

Would you like individual advice?

We look forward to your email to products@ettinger.de.

Subject to change and errors.