

Article datasheet

PCB Mount Screw Terminal M4 max. 15A Brass tinned - without screw

Article-No.: 013.44.465

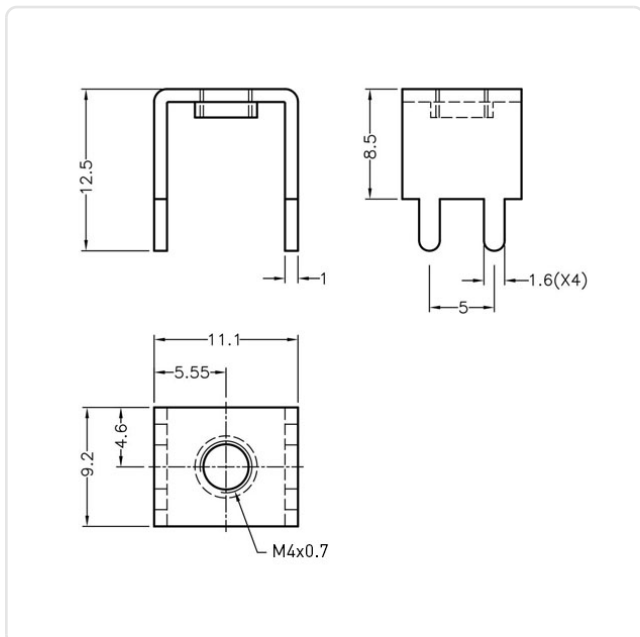


Image may be similar

Amperage [A]: 15
Finish: Tin-Plated
Material: Brass
Material Group: Brass
PCB Hole Ø [mm]: 1.8
Thread Size: M4
Weight: 2.13g
Conformities:



You can find all
information on the web on
our article detail page



Would you like individual advice?

We look forward to your email to products@ettinger.de.

Subject to change and errors.