

Article datasheet

## Standoff Galvanized Steel M/F AF5x5 F=4-40x3.4 M=4-40x8 w/o UC

Article-No.: 009.44.751

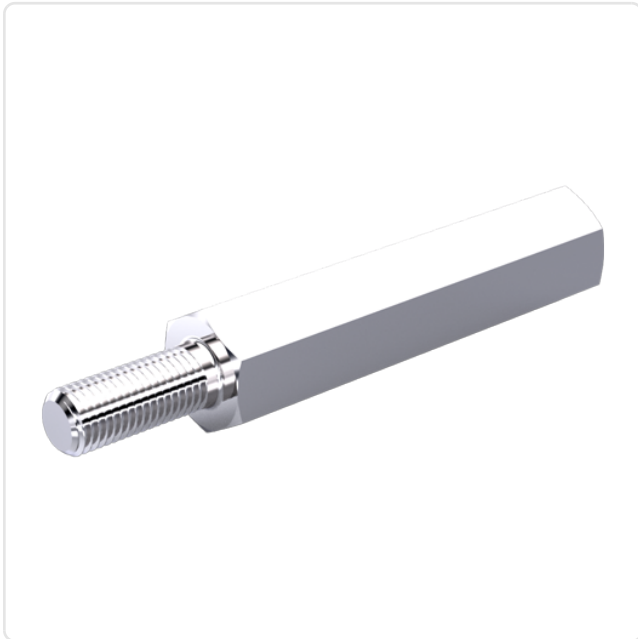
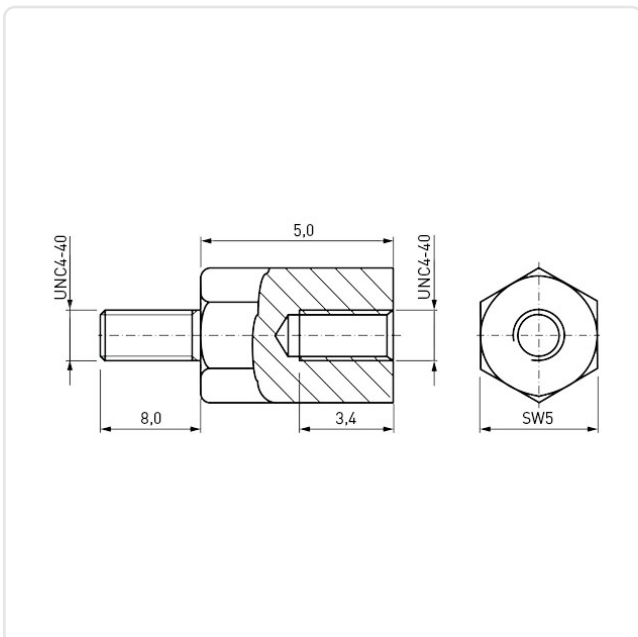


Image may be similar

AF / OD [mm]:	5
Female Thread Length [mm]:	3.4
Female Thread Size:	UNC4-40
Finish:	Galvanized, Blue, 5 µm, A2K
Length [mm]:	5
Male Thread Length [mm]:	8
Male Thread Size:	UNC4-40
Material:	Steel AISI 12L13 / 11SMnPb30
Material Group:	Steel
Profile:	Hexagonal
Undercut:	No
Weight:	0.96g
Conformities:	



You can find all information on the web on our article detail page

Would you like individual advice?

We look forward to your email to [products@ettinger.de](mailto:products@ettinger.de).

Subject to change and errors.