

Article datasheet

## Flat Head Screw ISO14583 M2x4 A2 Plain ST STL Torx Pan Head

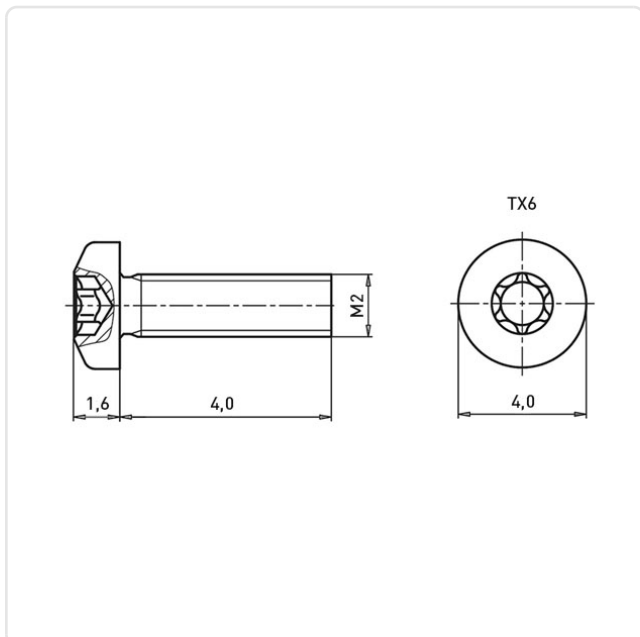
Article-No.: 001.64.102



Actuator Size:	Torx T6
DIN/ISO:	ISO14583
Drive Type:	TORX
Finish:	Plain
Head Diameter [mm]:	4
Head Height [mm]:	1.6
Head Shape:	Pan Head
Length [mm]:	4
Material:	Stainless Steel AISI 304 / A2
Material Group:	Stainless Steel
Thread Size:	M2
Weight:	0.2g
Conformities:	



Image may be similar



You can find all  
information on the web on  
our article detail page

Would you like individual advice?

We look forward to your email to [products@ettinger.de](mailto:products@ettinger.de).

Subject to change and errors.