

Article datasheet

## Set Screw DIN551/ISO4766 M5x12 PA-66 Natural Slotted Flat Point

Article-No.: 001.40.556

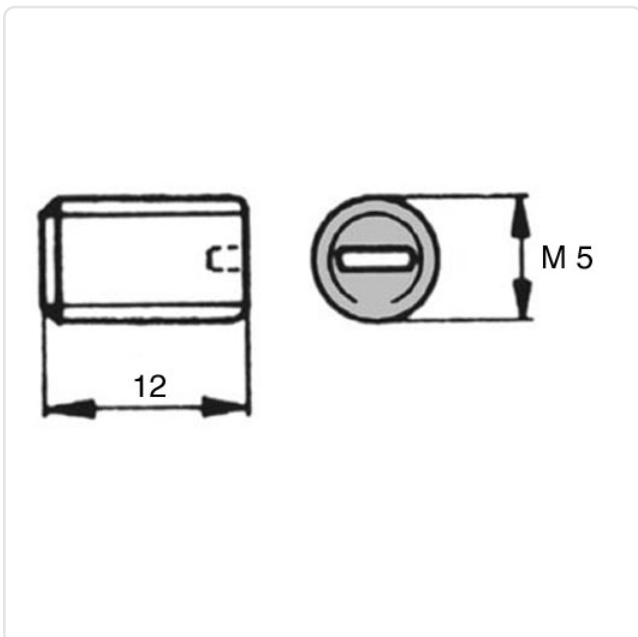


Image may be similar

Color: Natural  
DIN/ISO: ISO4766  
Drive Type: Slotted  
Flammability Class: UL94-V2  
Length [mm]: 12  
Material: PA 6.6  
Material Group: Kunststoff  
Point Type: Flat Point  
Thread Size: M5  
Weight: 0.21g  
Conformities:



You can find all  
information on the web on  
our article detail page



Would you like individual advice?

We look forward to your email to [products@ettinger.de](mailto:products@ettinger.de).

Subject to change and errors.