




Article datasheet

Long Nut M16 DIN6334 A2 Stainless Steel AF 24x48 / M16

Article-No.: 002.20.162

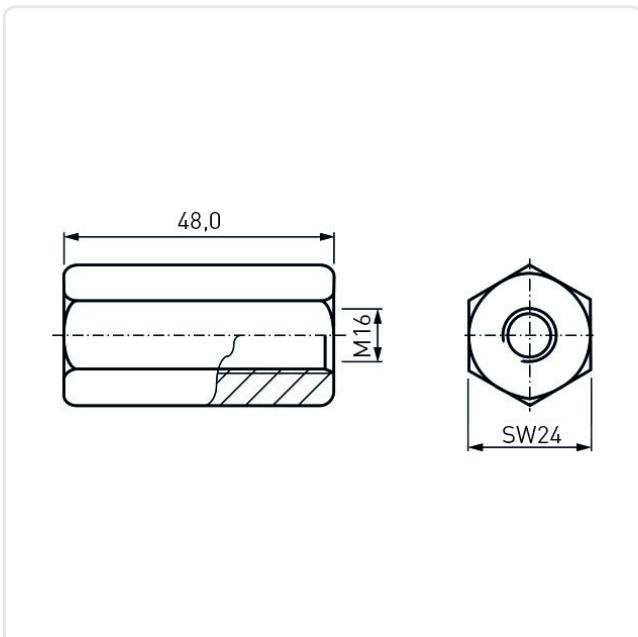


Image may be similar

DIN/ISO: DIN6334
Finish: Plain
Length [mm]: 48
Material: Stainless Steel A2 / AISI 304
Material Group: Stainless Steel
Thread Size: M16
Conformities:   



You can find all
information on the web on
our article detail page



Would you like individual advice?

We look forward to your email to products@ettinger.de.

Subject to change and errors.