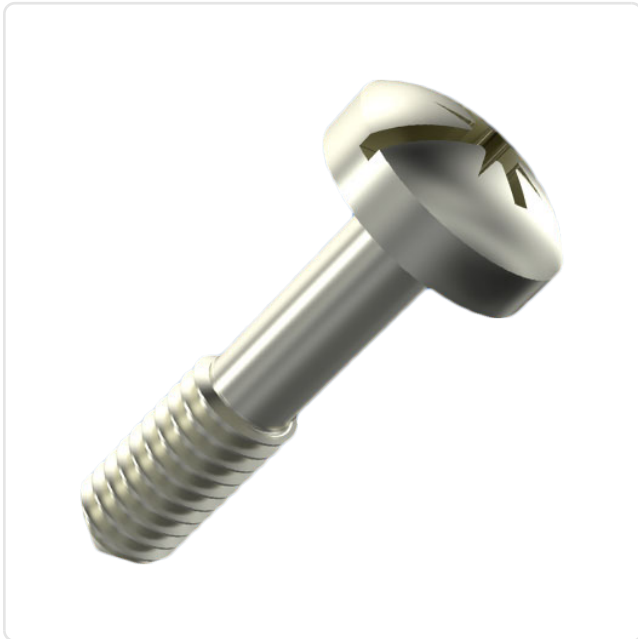


Article datasheet

## Captive Screw M2.5x10.8 Pan Head Nickel-Plated Steel 4.8 Cross Recess

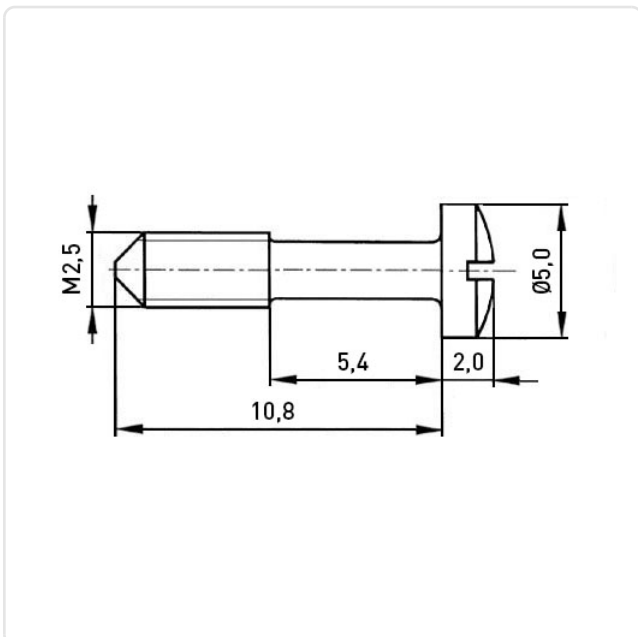
Article-No.: 001.87.244



Actuator Size:	Pozidriv PZ1
Drive Type:	Cross Recess / Slotted
Finish:	Nickel-Plated, 3 µm, E1E
Head Diameter [mm]:	5
Head Height [mm]:	2
Head Shape:	Pan Head
Length [mm]:	10.8
Material:	Steel 4.8
Material Group:	Steel
Reduced Shank Length [mm]:	5.4
Thread Size:	M2.5
Weight:	0.48g
Conformities:	



Image may be similar



You can find all  
information on the web on  
our article detail page

Would you like individual advice?

We look forward to your email to [products@ettinger.de](mailto:products@ettinger.de).

Subject to change and errors.