

Article datasheet

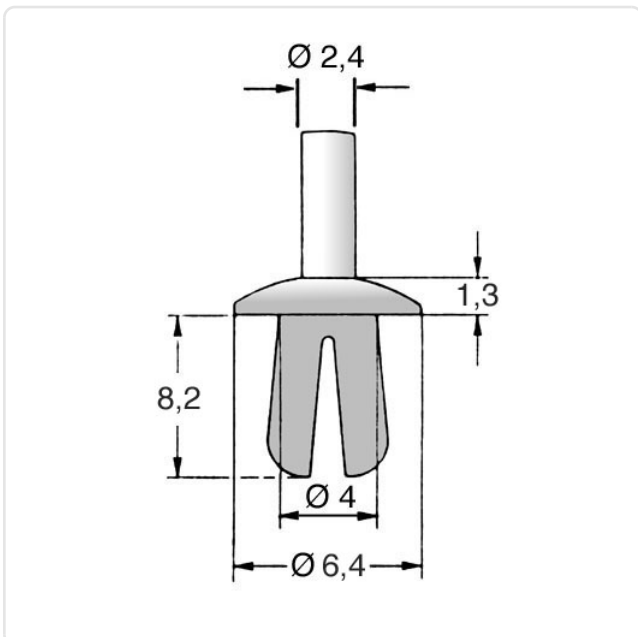
Drive Rivet Ø4.0 | 4.0-6.5 Polyamide 6.6 natural

Article-No.: 072.13.421



Image may be similar

Color:	Natural
Flammability Class:	UL94-V2
Head Diameter [mm]:	6.4
Head Height [mm]:	1.3
Length [mm]:	8.2
Mandrel Diameter [mm]:	2.4
Material:	PA 6.6
Material Group:	Plastic
Model:	not removable
Mounting Hole Range [mm]:	Ø 4.0-4.2
Panel Thickness [mm]:	4,0-6,5
Rivet Diameter [mm]:	4
Weight:	0.15g
Conformities:	



You can find all information on the web on our article detail page

Would you like individual advice?

We look forward to your email to products@ettinger.de.

Subject to change and errors.