

Article datasheet

## Flat Head Screw ISO7045 M5x16 Galvanized Steel 4.8 Torx Pan Head

Article-No.: 001.51.561

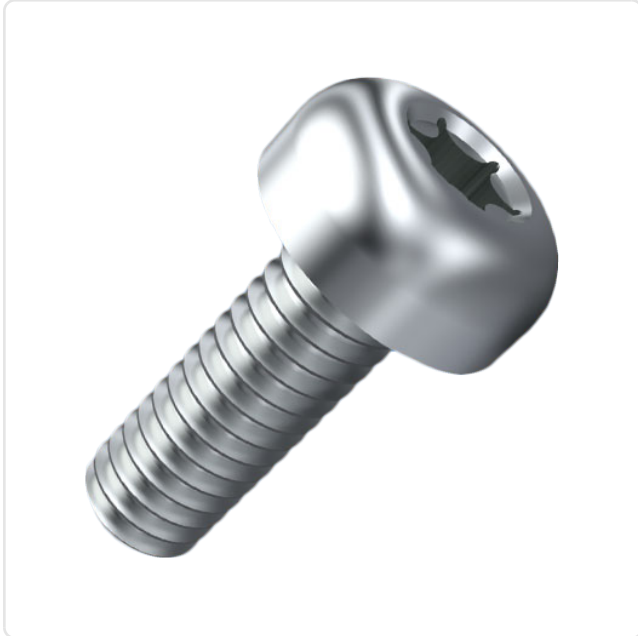
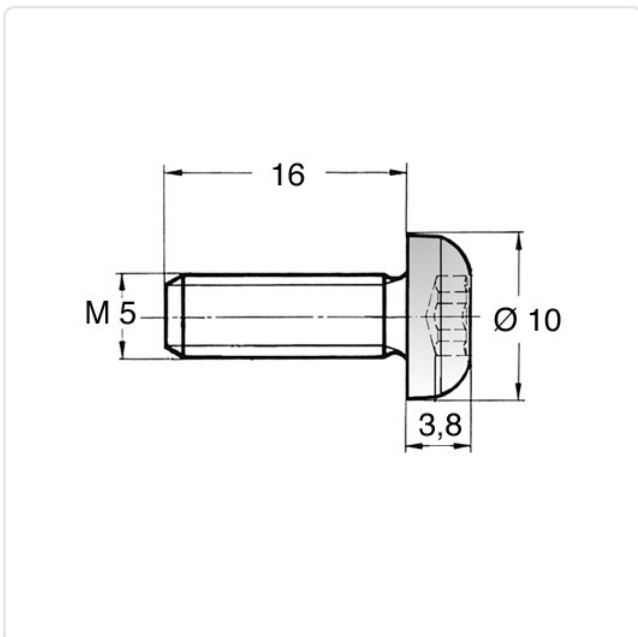


Image may be similar

Actuator Size:	Torx T25
DIN/ISO:	DIN7985 / ISO7045
Drive Type:	TORX
Finish:	Galvanized, Blue, 5 µm, A2K
Head Diameter [mm]:	10
Head Height [mm]:	3.8
Head Shape:	Pan Head
Length [mm]:	16
Material:	Steel 4.8
Material Group:	Steel
Thread Size:	M5
Weight:	3.45g
Conformities:	



You can find all  
information on the web on  
our article detail page

Would you like individual advice?

We look forward to your email to [products@ettinger.de](mailto:products@ettinger.de).

Subject to change and errors.