

Article datasheet

Battery Contact single contact for AA (Mignon)

Article-No.: 091.93.004

Manufacturer: OKW Gehäusesysteme

Manufacturer article-no.: A9193004

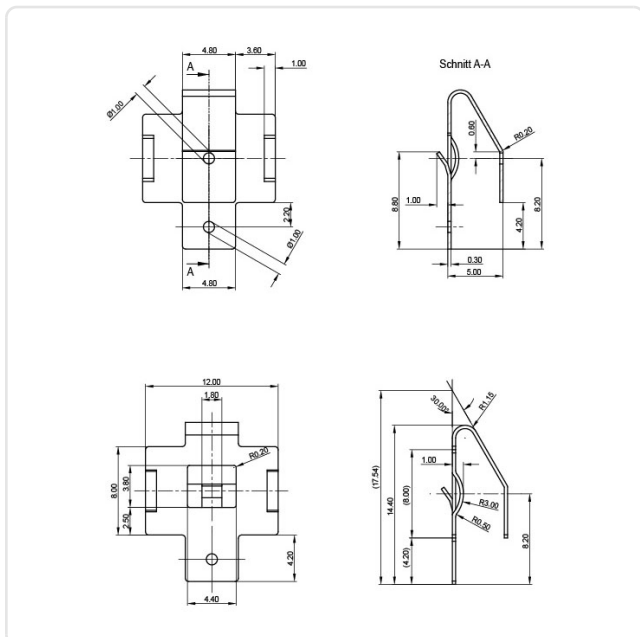


Image may be similar

Battery Type: AA-Mignon
 Finish: Nickel-Plated, 3 µm, E1E
 Material: Steel
 Material Group: Steel
 Width [mm]: 11.9
 Weight: 0.44g
 Conformities:



You can find all information on the web on our article detail page



Would you like individual advice?

We look forward to your email to products@ettinger.de.

Subject to change and errors.