

Article datasheet

## Standoff Yellow Galvanized Steel M/M AF5.5x25 T1=M3x9 T2=M3x9 w/ UC

Article-No.: 005.11.325

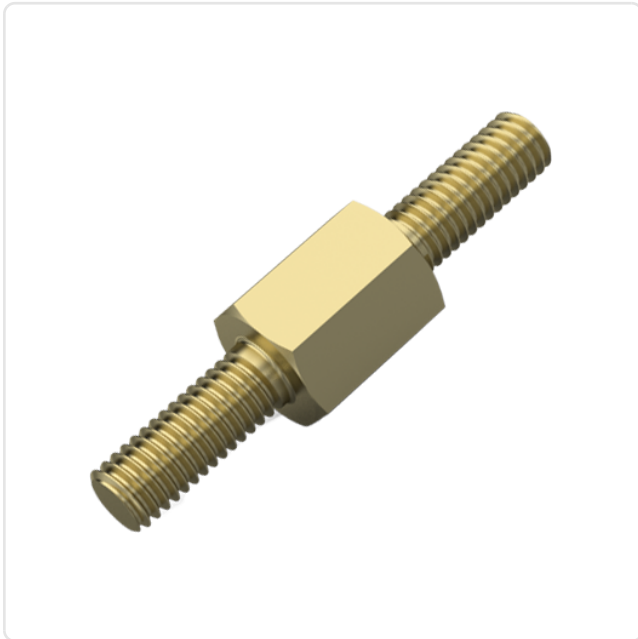
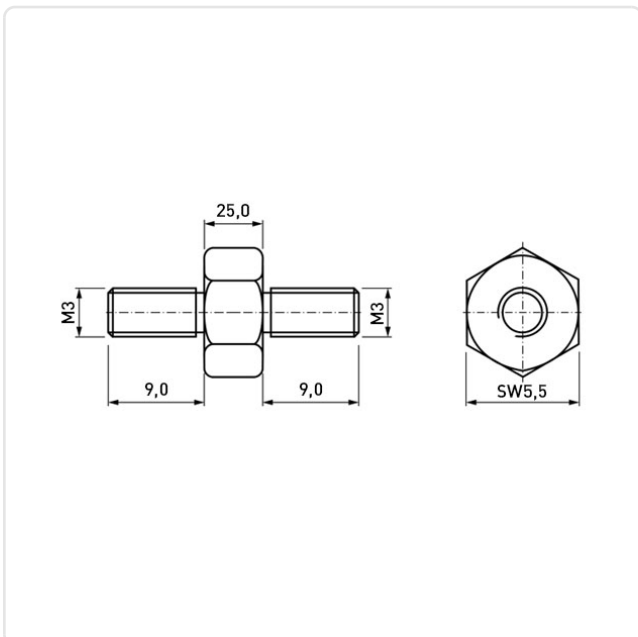


Image may be similar

|                       |                               |
|-----------------------|-------------------------------|
| AF / OD [mm]:         | 5.5                           |
| Finish:               | Galvanized, Yellow, 8 µm, A3G |
| Length [mm]:          | 25                            |
| Material:             | Steel 11SMnPb30(+C)           |
| Material Group:       | Steel                         |
| Profile:              | Hexagonal                     |
| Thread 1 Length [mm]: | 9                             |
| Thread 1 Size:        | M3                            |
| Thread 2 Length [mm]: | 9                             |
| Thread 2 Size:        | M3                            |
| Undercut:             | Yes                           |
| Weight:               | 5.72g                         |
| Conformities:         |                               |



You can find all  
information on the web on  
our article detail page

Would you like individual advice?

We look forward to your email to [products@ettinger.de](mailto:products@ettinger.de).

Subject to change and errors.