

Article datasheet

## IEC Power Inlet 10A/250V 70°C Flange Mount/Fused 1x 5x20mm

Article-No.: 039.74.540

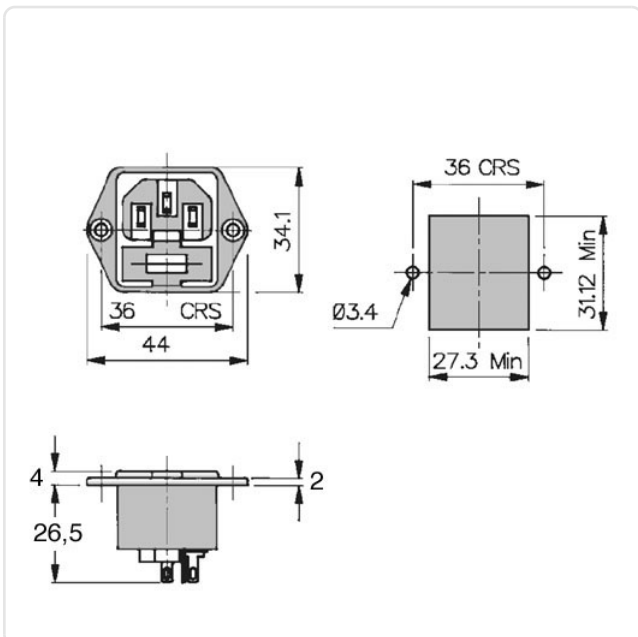


Image may be similar

Amperage [A]: 10  
Color: Black  
Connections: 4.8x0.8  
Fuse Size [mm]: 5.0x20.0  
Model: Plug, Screw Mounting  
Weight: 15.9g  
Conformities:



You can find all  
information on the web on  
our article detail page



Would you like individual advice?

We look forward to your email to [products@ettinger.de](mailto:products@ettinger.de).

Subject to change and errors.