

Article datasheet

Weld Nut DIN929 M3 A4 Plain Stainless Steel Hexagon

Article-No.: 002.31.039

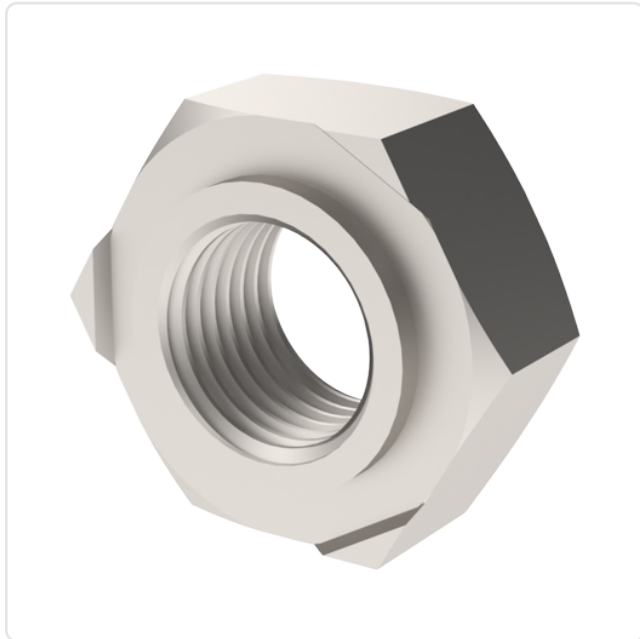
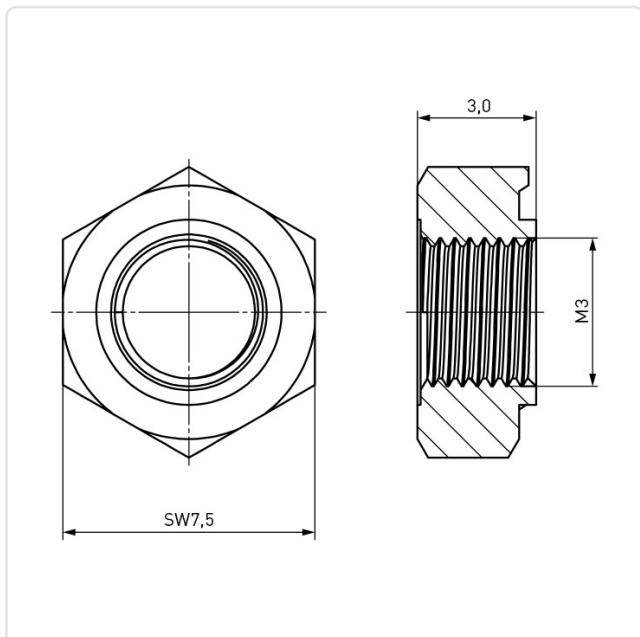


Image may be similar

AF / OD [mm]: 7.5
DIN/ISO: DIN929
Finish: Plain
Height [mm]: 3
Material: Stainless Steel A4 / AISI 316
Thread Size: M3
Conformities:



You can find all
information on the web on
our article detail page



Would you like individual advice?

We look forward to your email to products@ettinger.de.

Subject to change and errors.