

Article datasheet

Cap for Turning Knob \varnothing 10 mm

Article-No.: 041.10.002

Manufacturer: OKW Gehäusesysteme

Manufacturer article-no.: A41.10.002

OKW
GEHÄUSE
SYSTEME

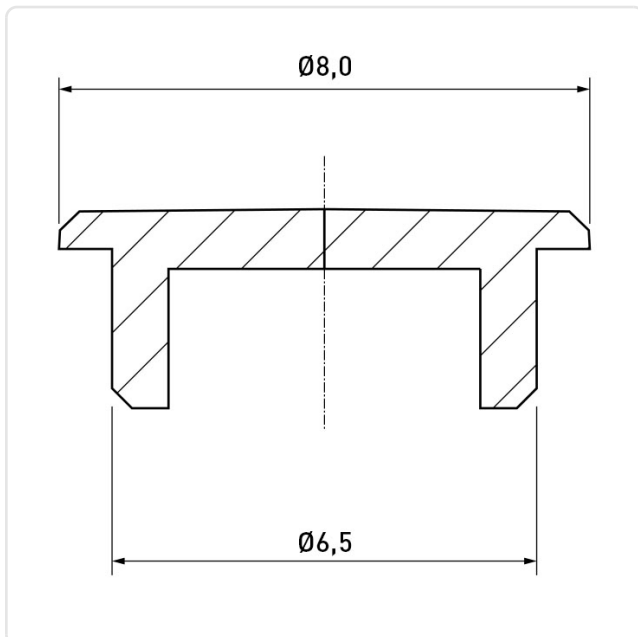


Image may be similar

Color: Red
Material: ABS
Material Group: Plastic
Model: Cap for Combination Knob
Outer Diameter [mm]: 8
Weight: 0.06g
Conformities:



You can find all
information on the web on
our article detail page



Would you like individual advice?

We look forward to your email to products@ettinger.de.

Subject to change and errors.