

Article datasheet

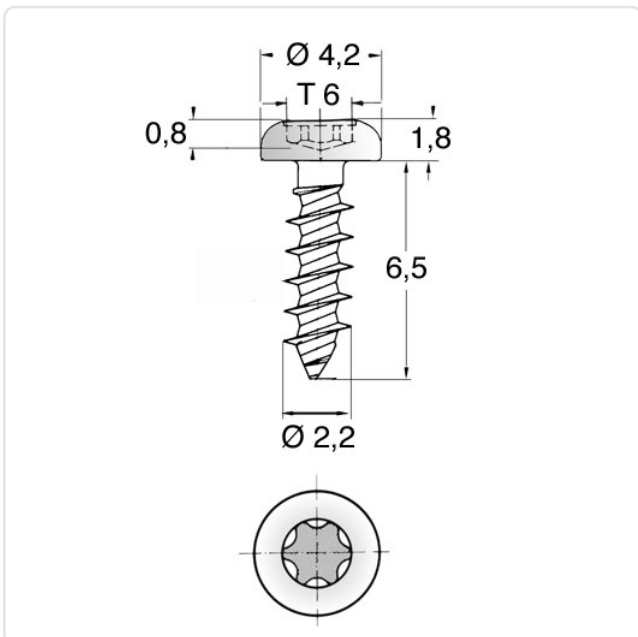
## Tapping Screw ISO14585T Ø2.2x6.5 Galvanized Steel Torx Pan Head

Article-No.: 001.26.021



Image may be similar

Actuator Size:	Torx T6
DIN/ISO:	ISO14585
Drive Type:	TORX
Finish:	Galvanized, Blue, 5 µm, A2K
Head Diameter [mm]:	4
Head Height [mm]:	1.6
Head Shape:	Pan Head
Length [mm]:	6.5
Material:	Steel
Material Group:	Steel
Thread Diameter [mm]:	Ø 2.2
Weight:	0.28g
Conformities:	



You can find all information on the web on our article detail page

Would you like individual advice?

We look forward to your email to [products@ettinger.de](mailto:products@ettinger.de).

Subject to change and errors.