

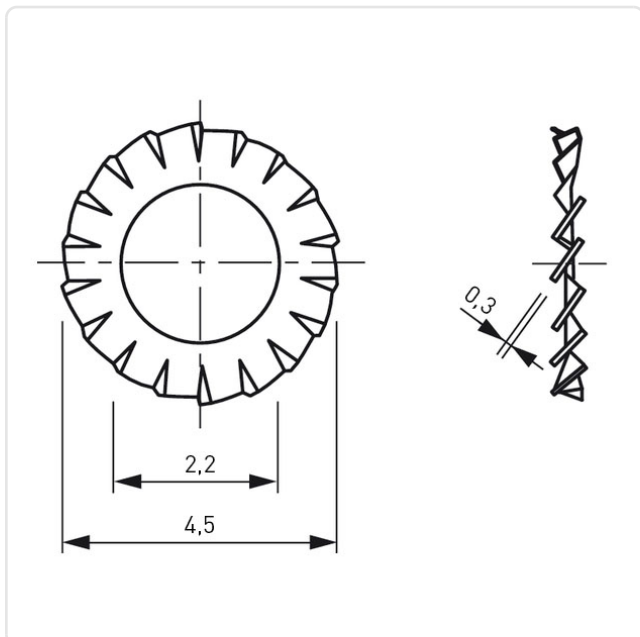
Article datasheet




Serrated Washer DIN6798 A Ø2.2/4.5 x 0.3 A2 Plain Stainless Steel

Article-No.: 003.54.012



Image may be similar



DIN/ISO:	DIN6798A
Finish:	Plain
For Thread Size:	M2
Height [mm]:	0.3
Inner Diameter [mm]:	2.2
Material:	Stainless Steel A2 / AISI 304
Material Group:	Stainless Steel
Outer Diameter [mm]:	4.5
Weight:	0.02g
Conformities:	  



You can find all
information on the web on
our article detail page

Would you like individual advice?

We look forward to your email to products@ettinger.de.

Subject to change and errors.