

Article datasheet

## Thread Forming Screw DIN7500M M4x10 Galv. Steel Case Hardened Pozi CSK

Article-No.: 001.35.441

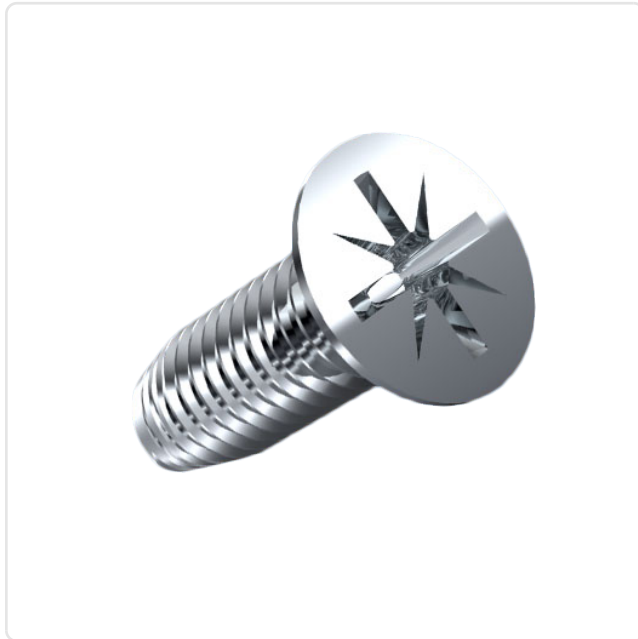
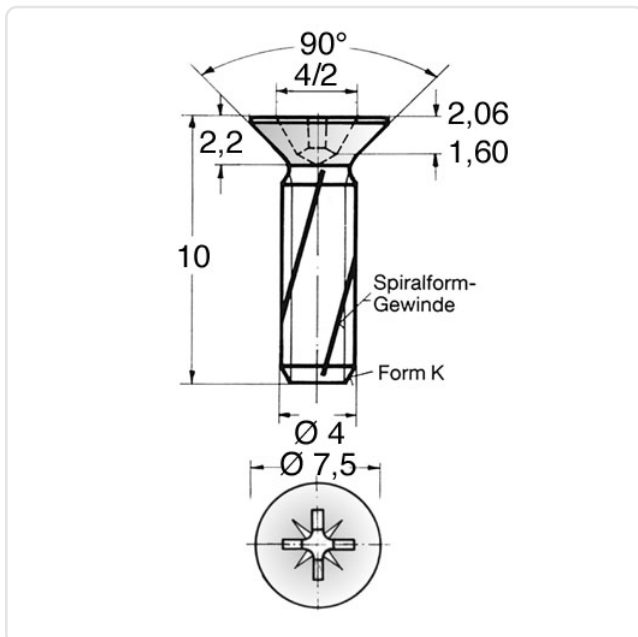


Image may be similar

|                     |                             |
|---------------------|-----------------------------|
| Actuator Size:      | Pozidriv PZ2                |
| DIN/ISO:            | DIN7500-M                   |
| Drive Type:         | Cross Recess / Pozidriv-Z   |
| Finish:             | Galvanized, Blue, 5 µm, A2K |
| Head Diameter [mm]: | 7.5                         |
| Head Height [mm]:   | 2.2                         |
| Head Shape:         | Countersunk Head            |
| Length [mm]:        | 10                          |
| Material:           | Case-Hardened Steel         |
| Material Group:     | Steel                       |
| Thread Size:        | M4                          |
| Thread Type:        | Metric                      |
| Weight:             | 0.93g                       |
| Conformities:       |                             |



You can find all information on the web on our article detail page

Would you like individual advice?

We look forward to your email to [products@ettinger.de](mailto:products@ettinger.de).

Subject to change and errors.