

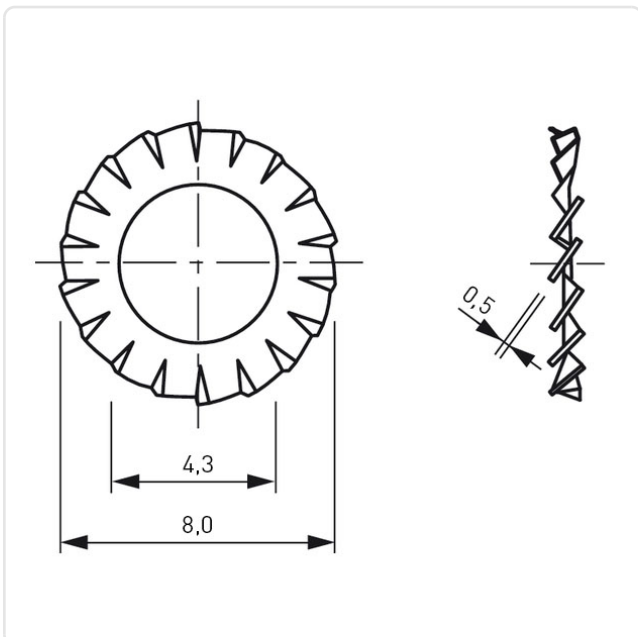
Article datasheet

## Serrated Washer DIN6798 A $\text{\O}4.3/8.0 \times 0.5$ Phosphated Spring Steel

Article-No.: 003.54.040



Image may be similar



DIN/ISO: DIN6798A  
Finish: Phosphated  
For Thread Size: M4  
Height [mm]: 0.5  
Inner Diameter [mm]: 4.3  
Material: Spring Steel  
Outer Diameter [mm]: 8  
Weight: 0.11g  
Conformities:



You can find all information on the web on our article detail page

Would you like individual advice?

We look forward to your email to [products@ettinger.de](mailto:products@ettinger.de).

Subject to change and errors.