

Article datasheet

Continuous Grommet Strip 1.6-2.0mm Polyethylen white UL94-V2

Article-No.: 014.94.121

Manufacturer: SES-Sterling

Manufacturer article-no.: 0826 0013 001

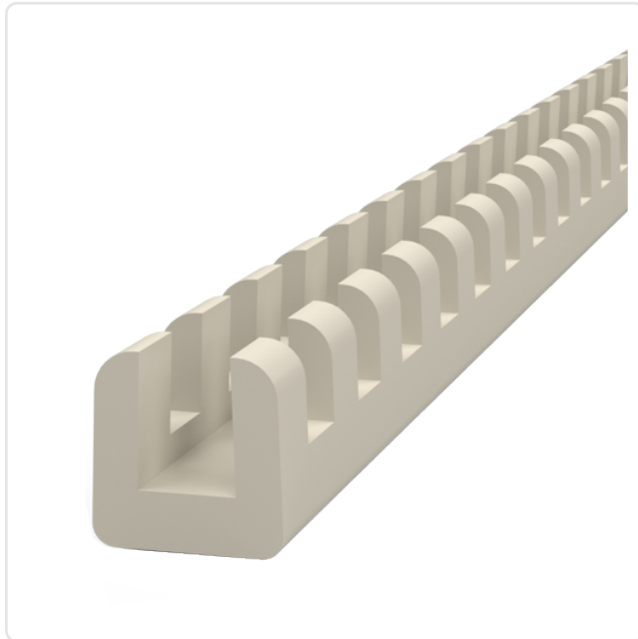
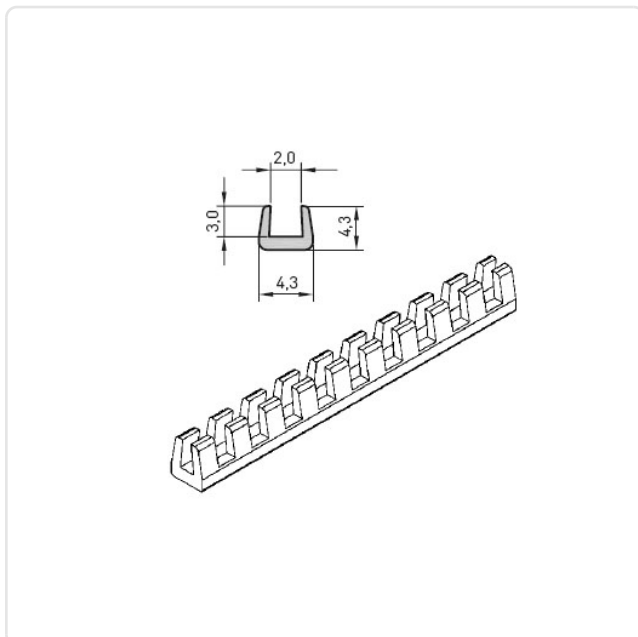


Image may be similar

Application Thicken. [mm]: 2
Color: White
Flammability Class: UL94-V2
Height [mm]: 4.3
Material: Polyethylene
Material Group: Kunststoff
Model: Toothed
Panel Thickness [mm]: 1.6-2.0mm
Reel length [m]: 25
Weight: 222g
Conformities:



You can find all
information on the web on
our article detail page



Would you like individual advice?

We look forward to your email to products@ettinger.de.

Subject to change and errors.