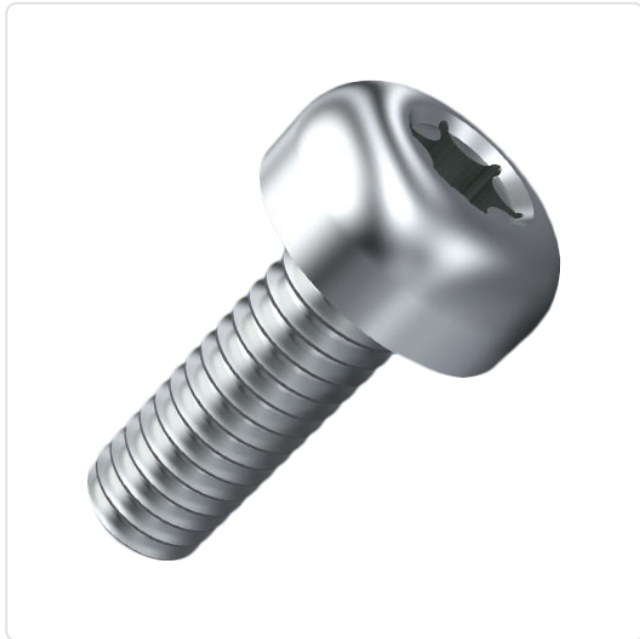


Article datasheet

## Flat Head Screw ISO14583 M6x16 Galvanized Steel 4.8 Torx Pan Head

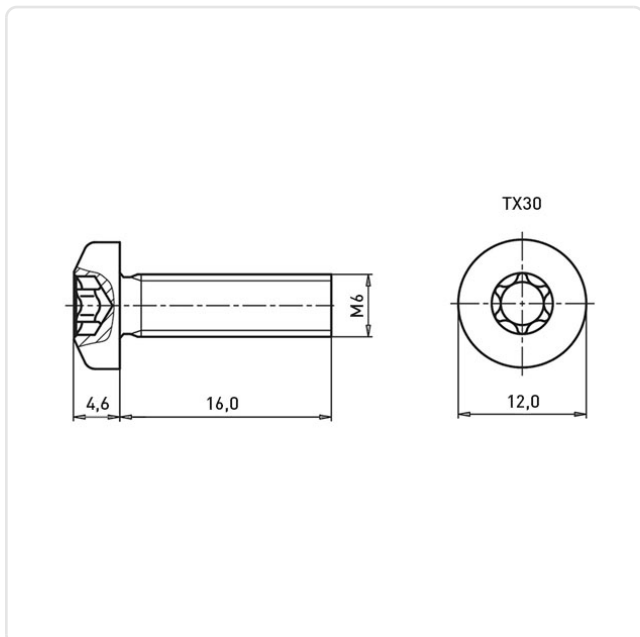
Article-No.: 001.51.661



Actuator Size:	Torx T30
DIN/ISO:	ISO14583
Drive Type:	TORX
Finish:	Galvanized, Blue, 5 µm, A2K
Head Diameter [mm]:	12
Head Height [mm]:	4.6
Head Shape:	Pan Head
Length [mm]:	16
Material:	Steel 4.8
Material Group:	Stahl
Thread Size:	M6
Weight:	5.6g
Conformities:	



Image may be similar



You can find all  
information on the web on  
our article detail page

Would you like individual advice?

We look forward to your email to [products@ettinger.de](mailto:products@ettinger.de).

Subject to change and errors.