

Article datasheet

## Flanged Slide Bearing 6/ 9X11mm Polyamid PA66,natural

Article-No.: 005.99.066

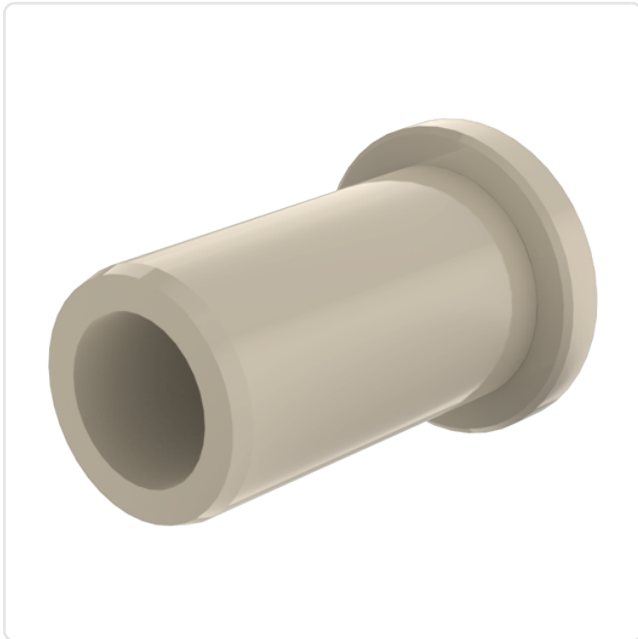


Image may be similar

Color: Natural  
Flammability Class: UL94-V2  
Inner Diameter [mm]: 6  
Length [mm]: 11  
Lug Diameter [mm]: 9  
Material: PA 6.6  
Material Group: Plastic  
Model: With High Lug  
Outer Diameter [mm]: 12  
Weight: 0.51g  
Conformities:



You can find all information on the web on our article detail page

Would you like individual advice?

We look forward to your email to [products@ettinger.de](mailto:products@ettinger.de).

Subject to change and errors.

