

Article datasheet

## Flat Tie Holder max. 6mm for M4 Polyamid 66 black hole $\varnothing 4.5\text{mm}$

Article-No.: 072.79.640

Manufacturer: Hellermann

Manufacturer article-no.: 151-24660

HellermannTyton

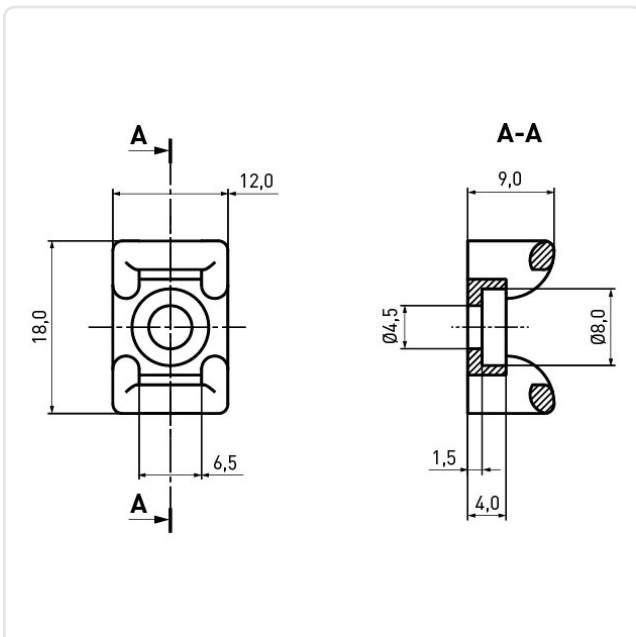


Image may be similar

Cable Tie Width max. [mm]: 6.1  
 Color: Black  
 Flammability Class: UL94-HB  
 Height [mm]: 9  
 Length [mm]: 18  
 Material: PA 6.6  
 Material Group: Plastic  
 Model: Screw Mounting  
 Width [mm]: 12  
 Weight: 1.65g  
 Conformities:



You can find all information on the web on our article detail page



Would you like individual advice?

We look forward to your email to [products@ettinger.de](mailto:products@ettinger.de).

Subject to change and errors.