

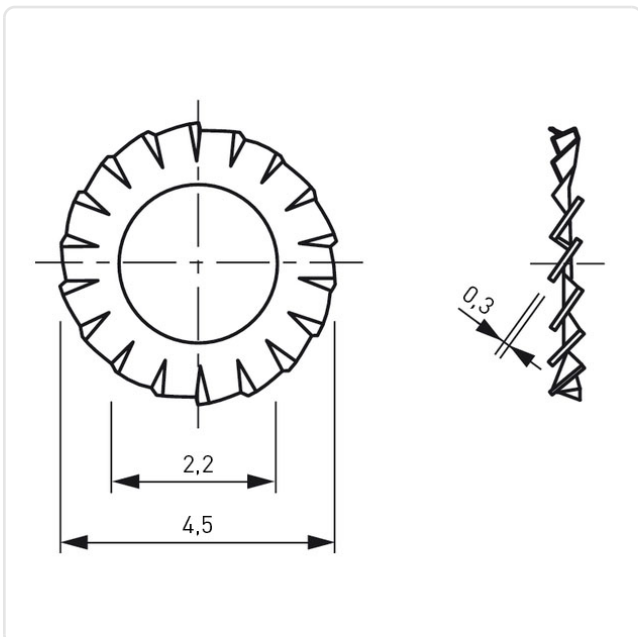
Article datasheet

Serrated Washer DIN6798 A Ø2.2/4.5 x 0.3 Galvanized Spring Steel

Article-No.: 003.54.011



Image may be similar



DIN/ISO:	DIN6798A
Finish:	Galvanized, Blue, 5 µm, A2K
For Thread Size:	M2
Height [mm]:	0.3
Inner Diameter [mm]:	2.2
Material:	Spring Steel
Material Group:	Steel
Outer Diameter [mm]:	4.5
Weight:	0.03g
Conformities:	  



You can find all
information on the web on
our article detail page

Would you like individual advice?

We look forward to your email to products@ettinger.de.

Subject to change and errors.