

Article datasheet

## Cable Gland cover for PG 11 $\varnothing 20 \times 9,0 \text{mm}$ /Brass nickel plated

Article-No.: 014.36.113

Manufacturer: LAPP

Manufacturer article-no.: 52003400

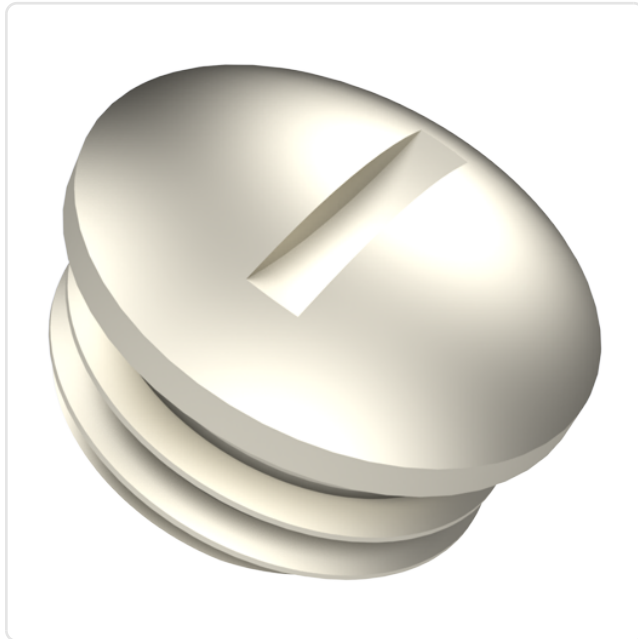
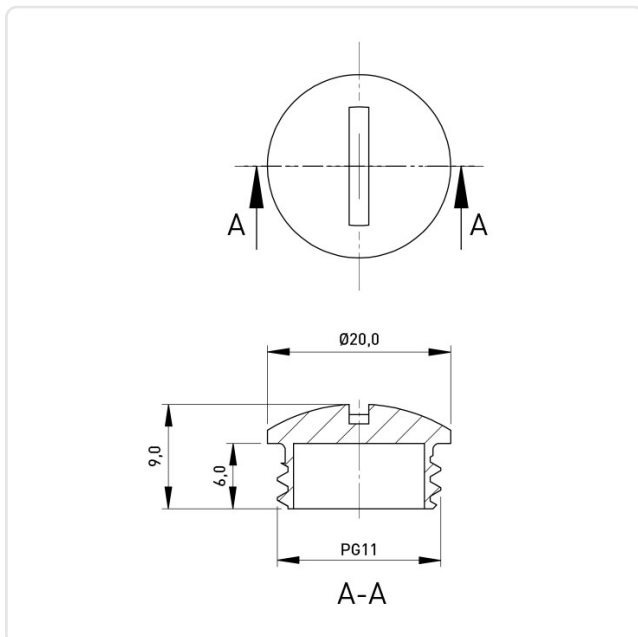


Image may be similar

Height [mm]: 9  
Material: Brass  
Material Group: Brass  
Model: Plug Screw  
Thread Size: PG11  
Weight: 7.44g  
Conformities:



You can find all information on the web on our article detail page



Would you like individual advice?

We look forward to your email to [products@ettinger.de](mailto:products@ettinger.de).

Subject to change and errors.