

Article datasheet

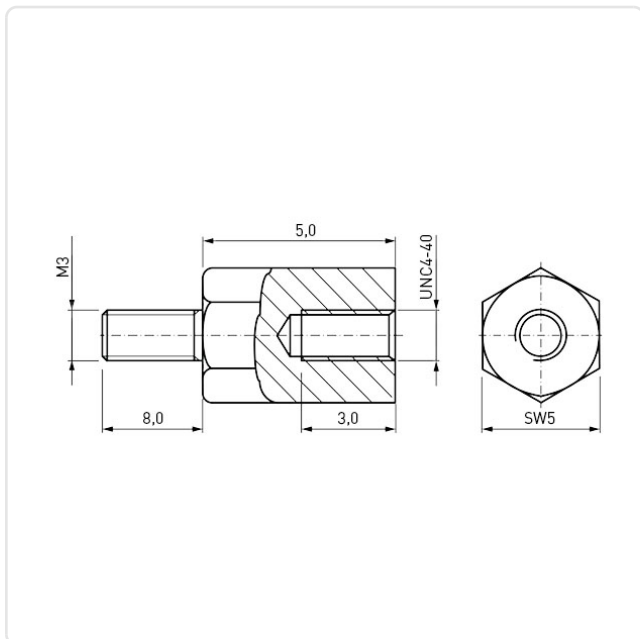
## Standoff Nickel-Plated Brass M/F AF5x5 F=4-40x3 M=M3x8 w/o UC

Article-No.: 009.34.853



Image may be similar

AF / OD [mm]:	5
Female Thread Length [mm]:	3
Female Thread Size:	UNC4-40
Finish:	Nickel-Plated, 3 µm, E1E
Length [mm]:	5
Male Thread Length [mm]:	8
Male Thread Size:	M3
Material:	Brass CW614N / CuZn39Pb3
Material Group:	Brass
Profile:	Hexagonal
Undercut:	No
Weight:	1.06g
Conformities:	



You can find all information on the web on our article detail page

Would you like individual advice?

We look forward to your email to [products@ettinger.de](mailto:products@ettinger.de).

Subject to change and errors.