

Article datasheet

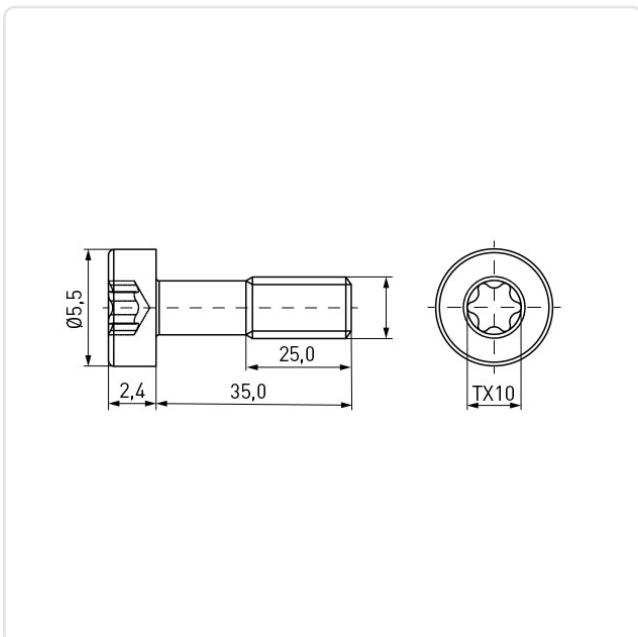
## Cheese Head Screw ISO14580 M3x35 A2 Plain Stainless Steel Torx

Article-No.: 082.66.332



Image may be similar

Actuator Size:	Torx T10
DIN/ISO:	ISO14580
Drive Type:	TORX
Finish:	Plain
Head Diameter [mm]:	5.5
Head Height [mm]:	2.4
Head Shape:	Flat Cheese Head
Length [mm]:	35
Material:	Stainless Steel AISI 304 / A2
Material Group:	Stahl rostfrei
Thread Size:	M3
Weight:	1.83g
Conformities:	



You can find all  
information on the web on  
our article detail page

Would you like individual advice?

We look forward to your email to [products@ettinger.de](mailto:products@ettinger.de).

Subject to change and errors.