

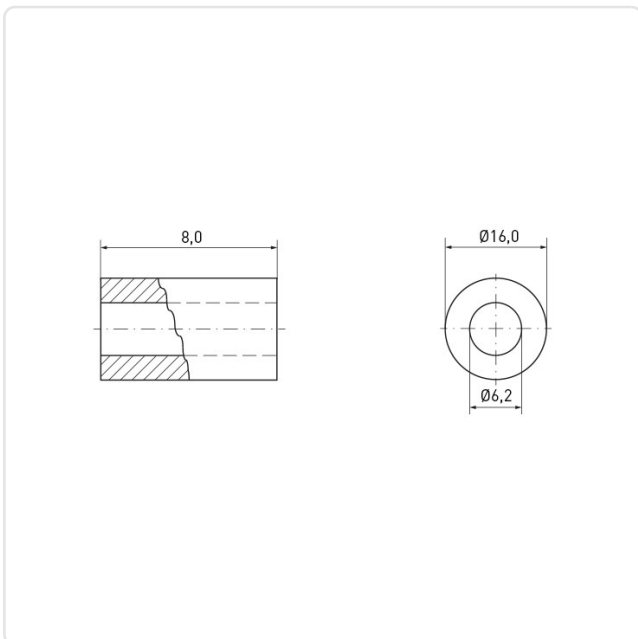
Article datasheet

Round Spacer $\varnothing 6.2/16.0 \times 8.0$ PA/GF black

Article-No.: 007.06.608



Image may be similar



Color: Black
Flammability Class: UL94-HB
For Thread Size: M6
Inner Diameter [mm]: 6.2
Length [mm]: 8
Material: PA 6.0 25% GF
Material Group: Kunststoff
Outer Diameter [mm]: 16
Weight: 1.82g
Conformities:



You can find all
information on the web on
our article detail page

Would you like individual advice?

We look forward to your email to products@ettinger.de.

Subject to change and errors.