

Article datasheet

Dowel Pin ISO8734 Ø4x16 Plain Steel

Article-No.: 080.01.0416

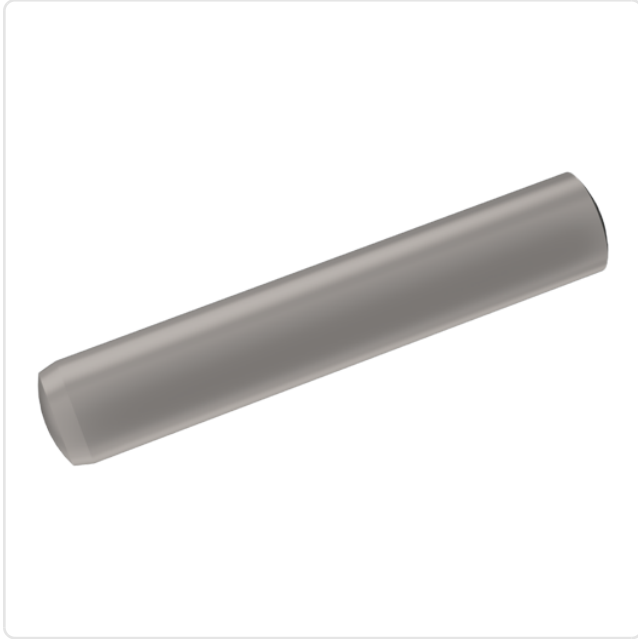


Image may be similar

DIN/ISO: DIN6325 / ISO8734

Diameter [mm]: 4

Finish: Plain

Length [mm]: 16

Material: Steel

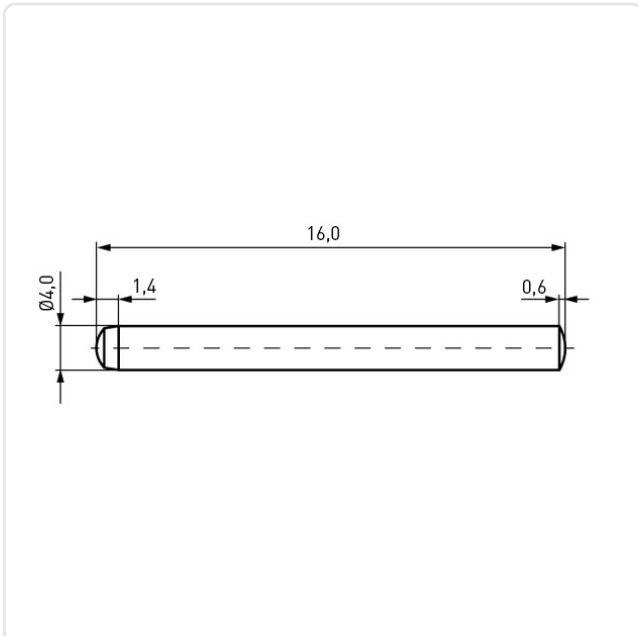
Material Group: Steel

Weight: 1.45g

Conformities:



You can find all
information on the web on
our article detail page



Would you like individual advice?

We look forward to your email to products@ettinger.de.

Subject to change and errors.