

Article datasheet

Lock Washer $\text{\O}5.3/9.0 \times 0.7$ A2 Plain Stainless Steel

Article-No.: 003.04.059

Manufacturer: SCHNORR

Manufacturer article-no.: 416100

SCHNORR
DISC SPRING ENGINEERING

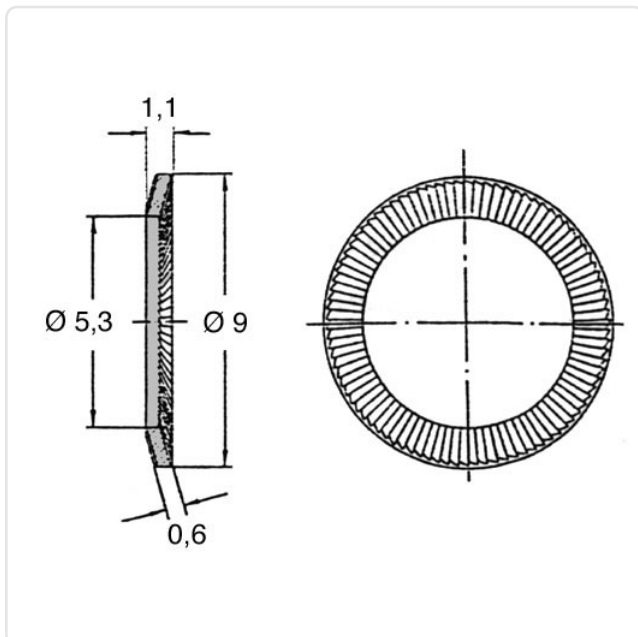


Image may be similar

Finish: Plain
For Thread Size: M5
Height [mm]: 0.7
Inner Diameter [mm]: 5.3
Material: Stainless Steel A2 / AISI 304
Material Group: Stahl rostfrei
Outer Diameter [mm]: 9
Weight: 0.2g
Conformities:



You can find all information on the web on our article detail page



Would you like individual advice?

We look forward to your email to products@ettinger.de.

Subject to change and errors.