

Article datasheet

Grommet 2.5-5.5x25mm Polychloroprene black

Article-No.: 014.02.324

Manufacturer: SES-Sterling

Manufacturer article-no.: 0201 0081 010

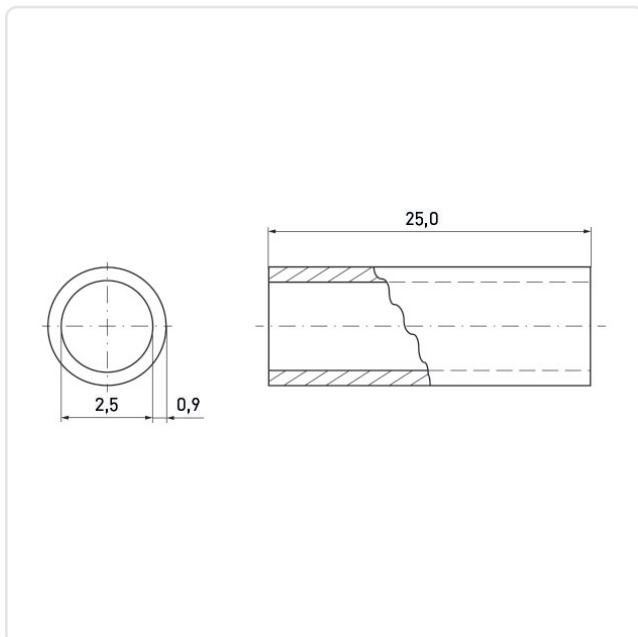


Image may be similar

Cable diameter [mm]: Ø 5,0-7,0
Color: Black
Material: CR - Polypropylene
Material Group: Plastic
Panel Thickness Range [mm]: ?
Panel Thickness [mm]: 0
Weight: 0.39g
Conformities:



You can find all
information on the web on
our article detail page



Would you like individual advice?

We look forward to your email to products@ettinger.de.

Subject to change and errors.