

Article datasheet

## UNC Bolt UNC6-32 x 9.5 A2 Plain Stainless Steel Torx Pan Head

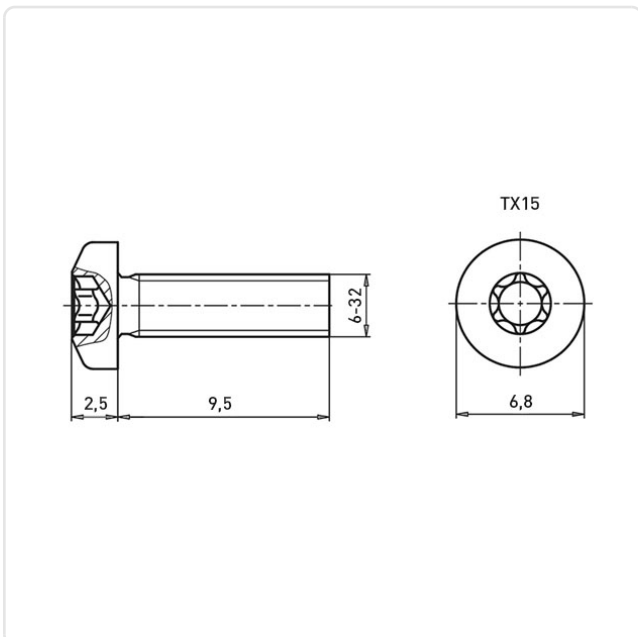
Article-No.: 001.70.642



Actuator Size:	Torx T15
Drive Type:	TORX
Finish:	Plain
Head Diameter [mm]:	6.7
Head Height [mm]:	2.3
Head Shape:	Pan Head
Length [mm]:	9.5
Material:	Stainless Steel AISI 304 / A2
Material Group:	Stainless Steel
Thread Size:	UNC6-32
Weight:	0.85g
Conformities:	



Image may be similar



You can find all information on the web on our article detail page

Would you like individual advice?

We look forward to your email to [products@ettinger.de](mailto:products@ettinger.de).

Subject to change and errors.