

Article datasheet

## UNC Bolt UNC4-40 x 4.8 Galvanized Steel 4.8 Slotted Pan Head

Article-No.: 001.65.411

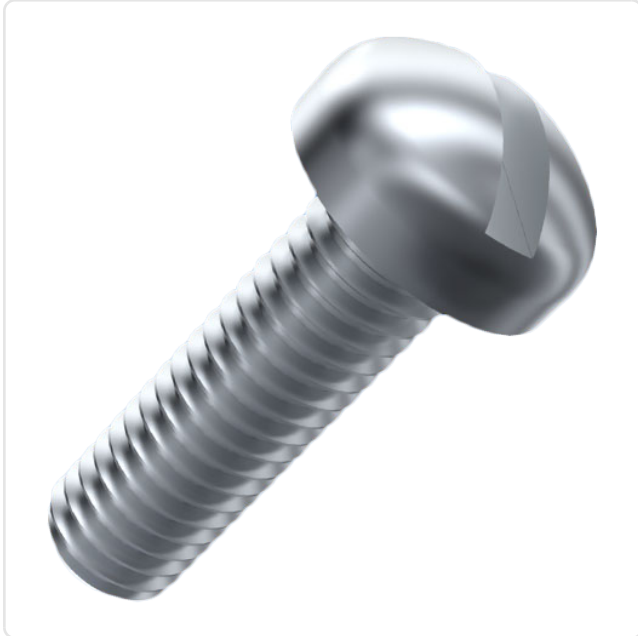



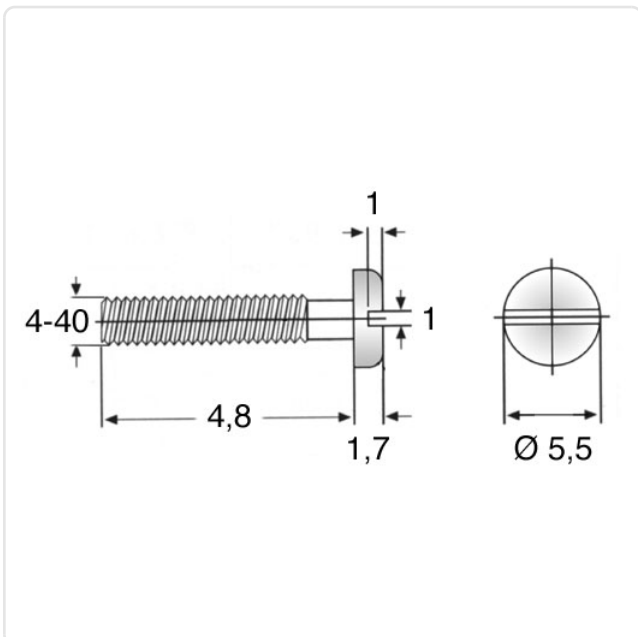


Image may be similar

Drive Type:	Slotted
Finish:	Galvanized, Blue, 5 µm, A2K
Head Diameter [mm]:	5.4
Head Height [mm]:	1.9
Head Shape:	Pan Head
Length [mm]:	4.8
Material:	Steel 4.8
Material Group:	Steel
Thread Size:	UNC4-40
Weight:	0.39g
Conformities:	  



You can find all  
information on the web on  
our article detail page



Would you like individual advice?

We look forward to your email to [products@ettinger.de](mailto:products@ettinger.de).

Subject to change and errors.