




Article datasheet

Spring Washer DIN137 A Ø4.3/8.0 x 0.5 A2 Plain Stainless Steel

Article-No.: 003.22.049

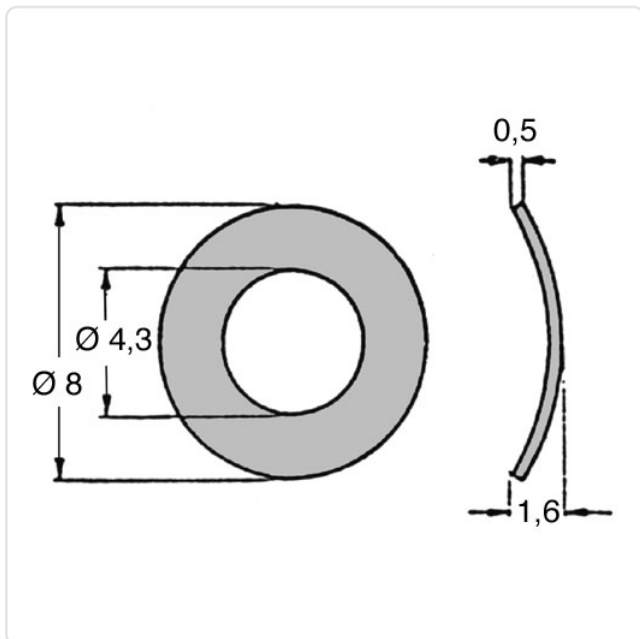


Image may be similar

DIN/ISO:	DIN137A
Finish:	Plain
For Thread Size:	M4
Height [mm]:	0.5
Inner Diameter [mm]:	4.3
Material:	Stainless Steel A2 / AISI 304
Material Group:	Stainless Steel
Outer Diameter [mm]:	8
Weight:	0.12g
Conformities:	  



You can find all
information on the web on
our article detail page



Would you like individual advice?

We look forward to your email to products@ettinger.de.

Subject to change and errors.