

Article datasheet

Conical Spring Washer DIN6796/ISO10670 Ø3.2/7.0 x 0.6 A2 Plain Stainless Steel

Article-No.: 003.24.832

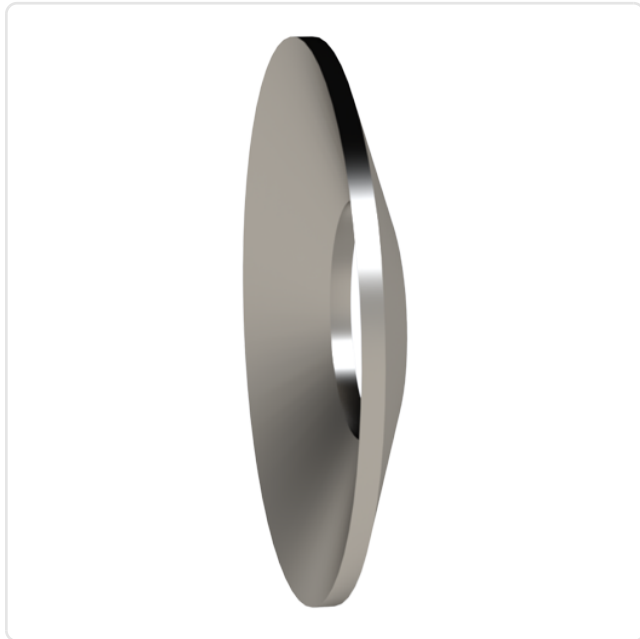



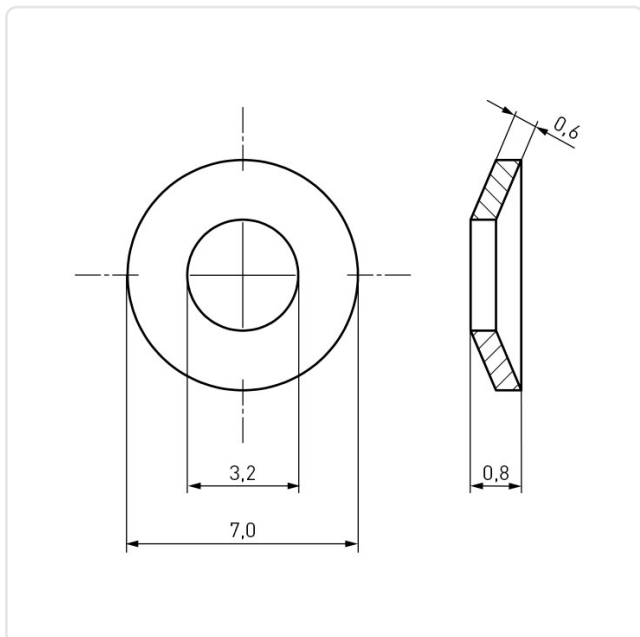


Image may be similar

DIN/ISO:	DIN6796 / ISO10670
Finish:	Plain
For Thread Size:	M3
Height [mm]:	0.6
Inner Diameter [mm]:	3.2
Material:	Stainless Steel A2 / AISI 304
Material Group:	Stainless Steel
Outer Diameter [mm]:	7
Weight:	0.13g
Conformities:	  



You can find all
information on the web on
our article detail page



Would you like individual advice?

We look forward to your email to products@ettinger.de.

Subject to change and errors.