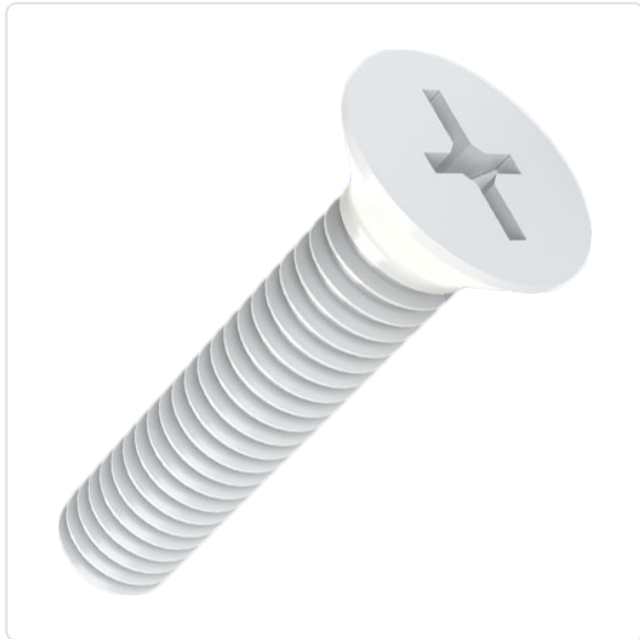


Article datasheet

Countersunk Screw ISO2009 M4x12 PA-66 Natural UL94-V2 Cross Recessed

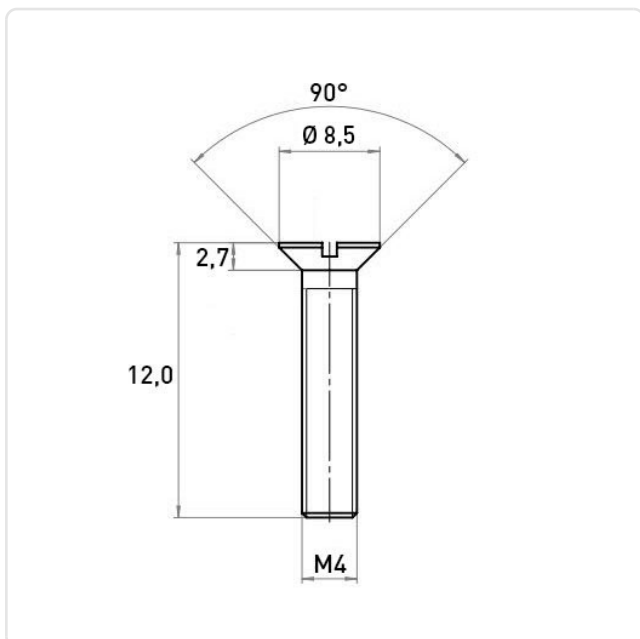
Article-No.: 001.46.456



Color:	Natural
DIN/ISO:	DIN963 / ISO2009
Drive Type:	Cross Recess / Phillips-H
Flammability Class:	UL94-V2
Head Diameter [mm]:	7.5
Head Height [mm]:	2.2
Head Shape:	Countersunk Head
Length [mm]:	12
Material:	PA 6.6
Material Group:	Plastic
Thread Size:	M4
Weight:	0.15g
Conformities:	



Image may be similar



You can find all information on the web on our article detail page

Would you like individual advice?

We look forward to your email to products@ettinger.de.

Subject to change and errors.