

Article datasheet

## Long Nut M12 DIN6334 Galvanized Steel AF 19x36 / M12

Article-No.: 002.20.121

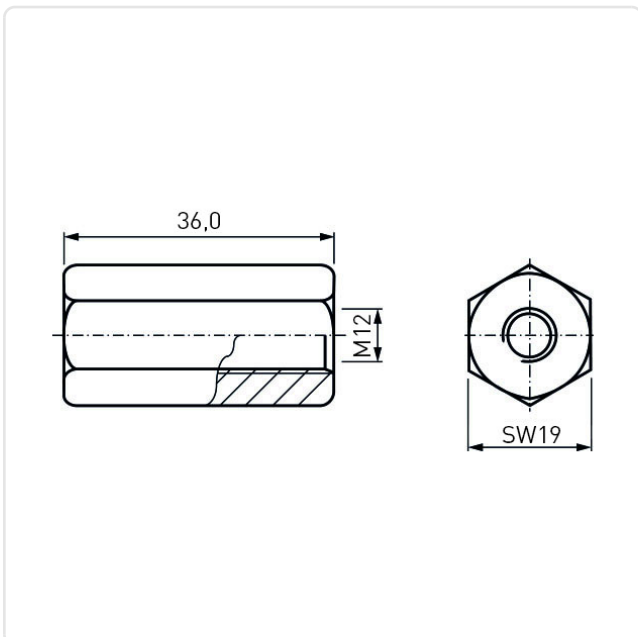


Image may be similar

DIN/ISO: DIN6334  
Finish: Galvanized, Blue, 5 µm, A2K  
Length [mm]: 36  
Material: Steel 11SMnPb30(+C)  
Material Group: Steel  
Thread Size: M12  
Weight: 57.8g  
Conformities:



You can find all  
information on the web on  
our article detail page



Would you like individual advice?

We look forward to your email to [products@ettinger.de](mailto:products@ettinger.de).

Subject to change and errors.