

Article datasheet

Power-Element M4/8-pole Brass,tinned max.10Amps/pin 3,5mm

Article-No.: 013.45.442

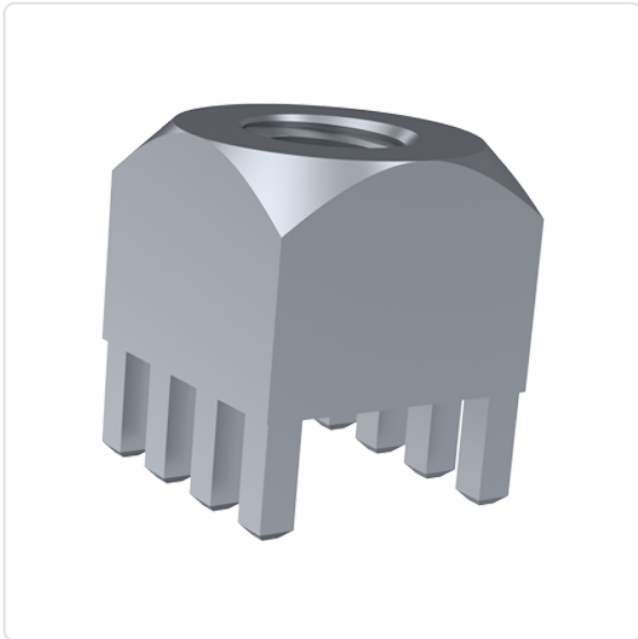


Image may be similar

Amperage [A]: 80
Finish: Tin-Plated
Grid [mm]: 2.54
Material: Brass
Material Group: Brass
PCB Hole Ø [mm]: 1.65
Thread Size: M4
Weight: 4.4g
Conformities:



You can find all information on the web on our article detail page

Would you like individual advice?

We look forward to your email to products@ettinger.de.

Subject to change and errors.

