

Article datasheet

## Cheese Head Screw ISO14579 M5x10 A2 Plain Stainless Steel Torx

Article-No.: 001.68.542

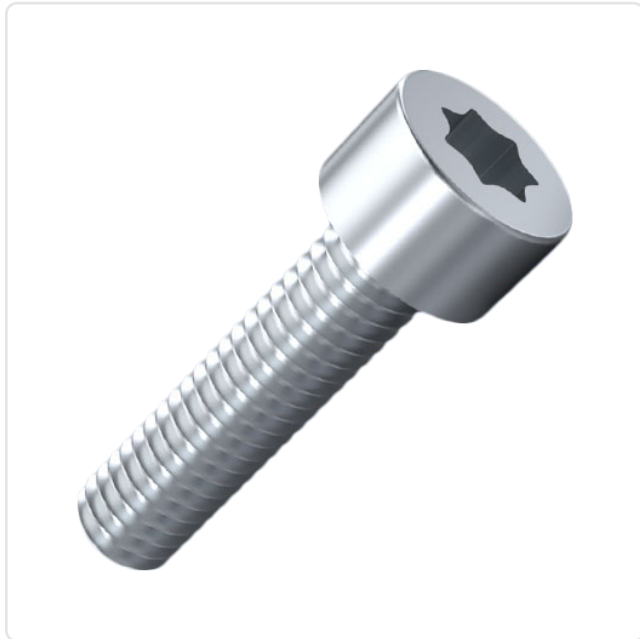
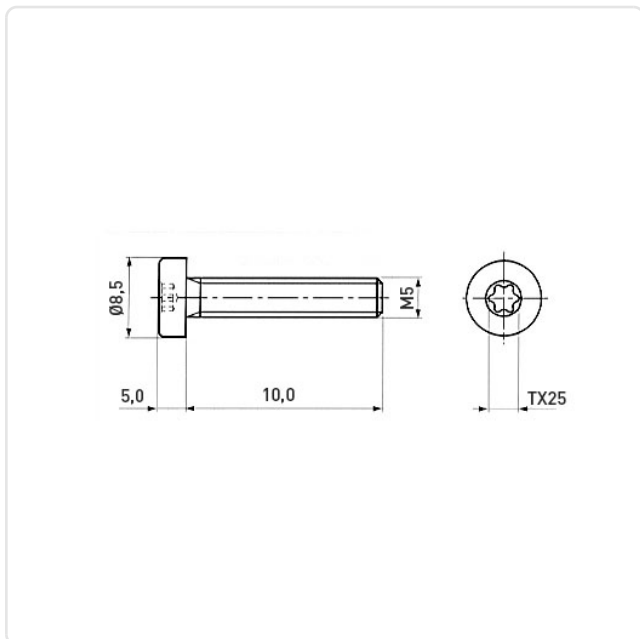


Image may be similar

Actuator Size:	Torx T25
DIN/ISO:	ISO14579
Drive Type:	TORX
Finish:	Plain
Head Diameter [mm]:	8.5
Head Height [mm]:	5
Head Shape:	Cheese Head
Length [mm]:	10
Material:	Stainless Steel AISI 304 / A2
Material Group:	Stainless Steel
Thread Size:	M5
Weight:	3.1g
Conformities:	



You can find all  
information on the web on  
our article detail page

Would you like individual advice?

We look forward to your email to [products@ettinger.de](mailto:products@ettinger.de).

Subject to change and errors.