

Article datasheet

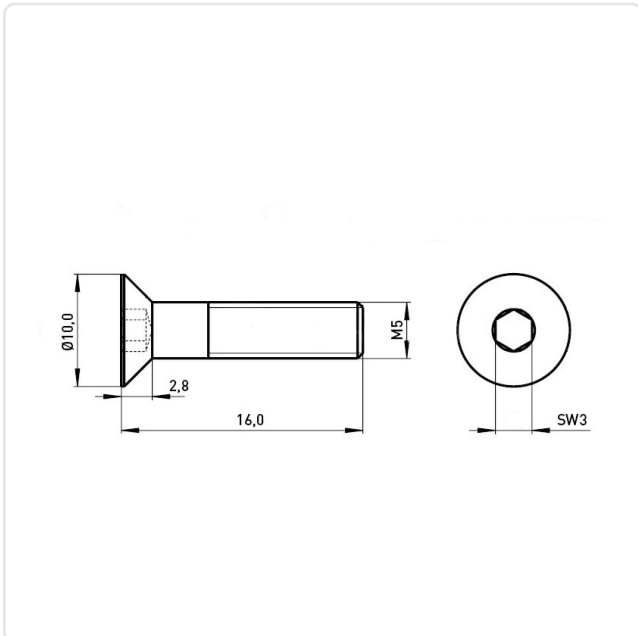
Countersunk Screw ISO10642 M5x16 A2 Plain Stainless Steel Hexagon Socket

Article-No.: 001.19.562



Image may be similar

| | |
|---------------------|-------------------------------|
| Actuator Size: | Hexagon Socket Hex3 |
| DIN/ISO: | DIN7991 / ISO10642 |
| Drive Type: | Hexagon Socket |
| Finish: | Plain |
| Head Diameter [mm]: | 10.2 |
| Head Height [mm]: | 3.1 |
| Head Shape: | Countersunk Head |
| Length [mm]: | 16 |
| Material: | Stainless Steel AISI 304 / A2 |
| Material Group: | Stainless Steel |
| Thread Size: | M5 |
| Weight: | 2.52g |
| Conformities: | |



You can find all
information on the web on
our article detail page

Would you like individual advice?

We look forward to your email to products@ettinger.de.

Subject to change and errors.