

Article datasheet

Micro Wire Saddle 12.7x12.7mm Polyamid 6.6 natural UL94-V2 E70062

Article-No.: 072.58.154

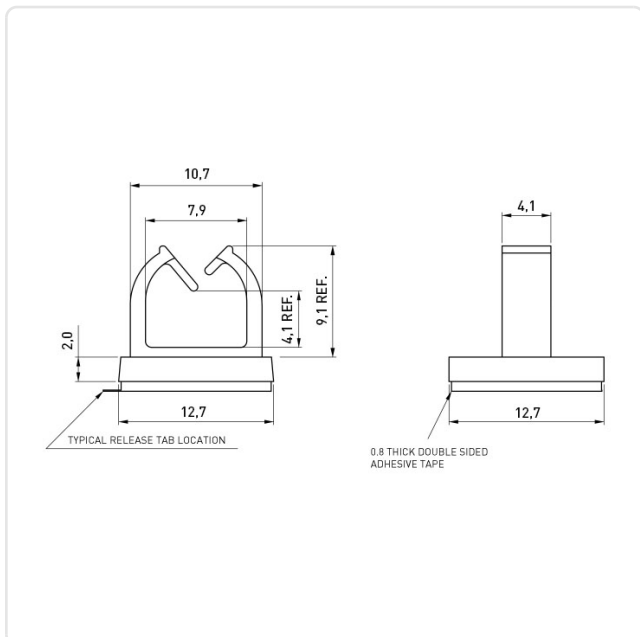


Image may be similar

Color: Natural
Height [mm]: 11.9
Material: Polyamide 6.6
Material Group: Plastic
Panel Thickness [mm]: Riegel 45°
Width [mm]: 12.7
Weight: 0.54g
Conformities:



You can find all information on the web on our article detail page



Would you like individual advice?

We look forward to your email to products@ettinger.de.

Subject to change and errors.