

Article datasheet

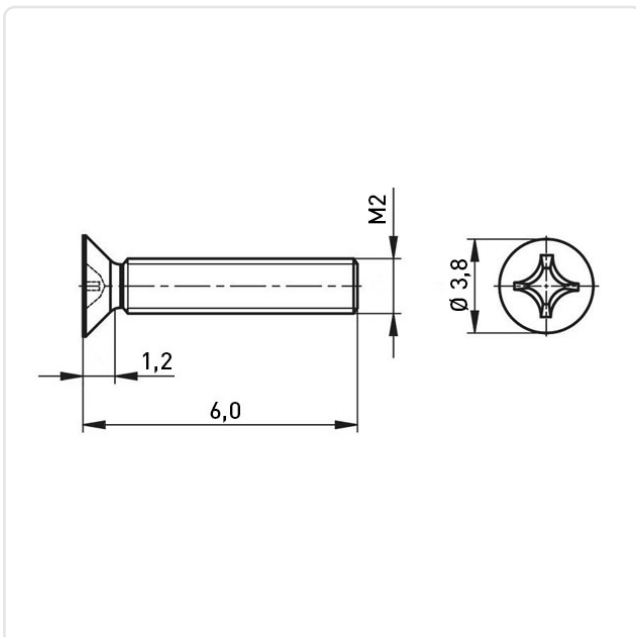
Countersunk Screw ISO7046 M2x6 A2 Plain Stainless Steel Cross Recessed

Article-No.: 001.12.128



Image may be similar

| | |
|---------------------|-------------------------------|
| Actuator Size: | Phillips PH1 |
| DIN/ISO: | DIN965 / ISO7046 |
| Drive Type: | Cross Recess / Phillips-H |
| Finish: | Plain |
| Head Diameter [mm]: | 3.8 |
| Head Height [mm]: | 1.2 |
| Head Shape: | Countersunk Head |
| Length [mm]: | 6 |
| Material: | Stainless Steel AISI 304 / A2 |
| Material Group: | Stainless Steel |
| Thread Size: | M2 |
| Weight: | 0.14g |
| Conformities: | |



You can find all
information on the web on
our article detail page

Would you like individual advice?
We look forward to your email to products@ettinger.de.

Subject to change and errors.