

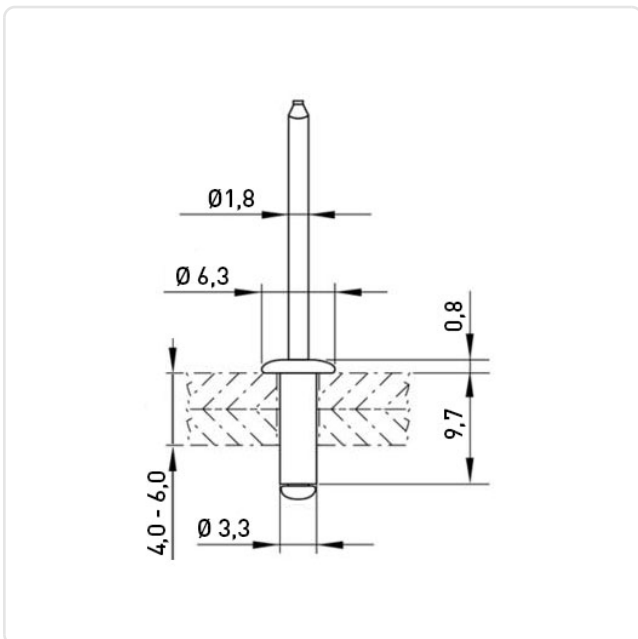
Article datasheet

## Blind Rivet Ø3.2x9.7 Aluminum Shell / Steel Mandrel

Article-No.: 001.08.748



Image may be similar



Finish:	Plain
Head Diameter [mm]:	6.3
Length [mm]:	9.7
Mandrel Diameter [mm]:	1.8
Material:	Hülse Alu / Dorn Stahl
Mounting Hole [mm]:	3.3
Panel Thickness [mm]:	4,0-6,0
Rivet Diameter [mm]:	3.2
Weight:	1.05g
Conformities:	



You can find all information on the web on our article detail page

Would you like individual advice?

We look forward to your email to [products@ettinger.de](mailto:products@ettinger.de).

Subject to change and errors.