

Article datasheet

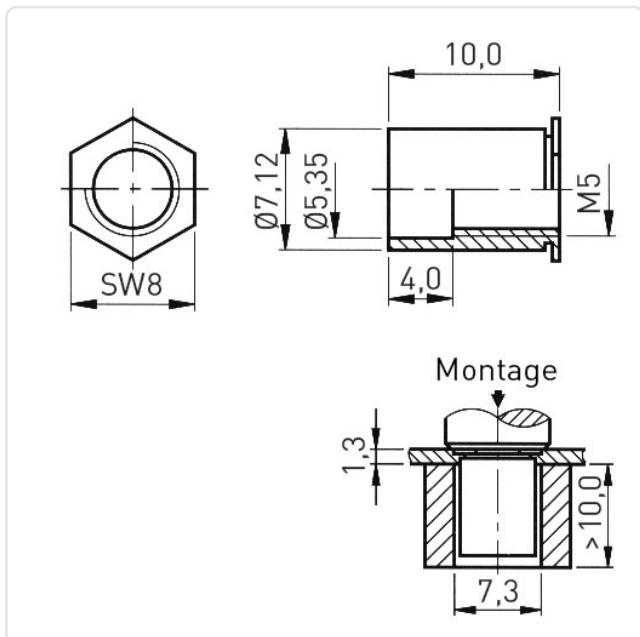
Swage Standoff M5x10.0 A2 Stainless Steel Passivated

Article-No.: 004.66.549



Image may be similar

AF / OD [mm]:	8
Area of Application:	For Metallic Materials
Finish:	Passivated, Clear
Length [mm]:	10
Material:	Stainless Steel AISI 316 / A4
Material Group:	Stainless Steel
Minimum Edge Distance [mm]:	8.0
Outer Diameter [mm]:	7.12
Panel Hole Ø [mm]:	7.14
Panel Thickness [mm]:	1,3
Thread Size:	M5
Weight:	1.56g
Conformities:	



You can find all information on the web on our article detail page

Would you like individual advice?

We look forward to your email to products@ettinger.de.

Subject to change and errors.