

Article datasheet

## Diaphragm Grommet 16.0/22.0-2.0mm PVC black -30°/+70°C UL94-HB

Article-No.: 014.68.716

Manufacturer: SES-Sterling

Manufacturer article-no.: 0133 0354 010

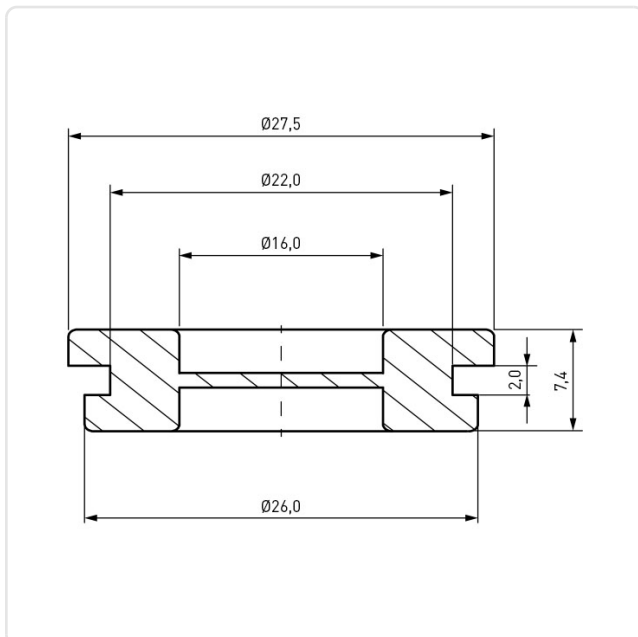


Image may be similar

Color:	Black
Height [mm]:	27.5
Inner Diameter [mm]:	16
Material:	PVC
Material Group:	Kunststoff
Max. Panel Thickness [mm]:	2
Model:	Diaphragm Grommet, Closed
Mounting Hole [mm]:	22
Weight:	2.95g
Conformities:	  



You can find all information on the web on our article detail page



Would you like individual advice?

We look forward to your email to [products@ettinger.de](mailto:products@ettinger.de).

Subject to change and errors.